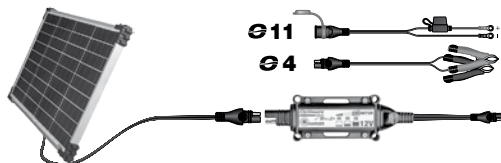


OptiMATE solar

OptiMate Solar charge controller-monitor and panel kits

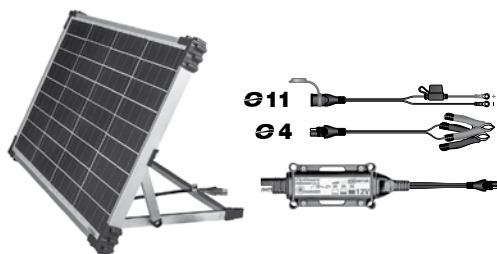


STANDARD Models:

Solar panel + charge controller

TM523-6 : TM523 charge controller + 60W polycrystalline panel
OUT: 12V 5.00A max.

TM523-8 : TM523 charge controller + 80W polycrystalline panel
OUT: 12V 6.67A max.



TRAVEL KIT Models: Solar panel with adjustable stand + charge controller + nylon carry case.

TM523-6TK : TM523 charge controller + 60W polycrystalline panel
OUT: 12V 5.00A max.

TM523-8TK : TM523 charge controller + 80W polycrystalline panel
OUT: 12V 6.67A max.



1 x Solar charge controller charges 1 x Lead-Acid battery
Battery types: Flooded STD with liquid acid electrolyte /
removable filler caps / EFB
Sealed AGM-MF / GEL / CYCLIC CELL

INSTRUCTIONS FOR USE

IMPORTANT: Read completely
before charging

MODE D'EMPLOI

IMPORTANT: à lire avant
d'utiliser l'appareil

MODO DE EMPLEO

IMPORTANTE: a leer antes
de utilizar el aparato

INSTRUÇÕES DE UTILIZAÇÃO

IMPORTANTE: Ler antes
de utilizar.

ANWENDUNGSVORSCHRIFTEN

WICHTIG: Vollständig vor der
Benutzung lesen

GEBRUIKSAANWIJZING

BELANGRIJK: Lees volledig
voor gebruik

ISTRUZIONI PER L'USO

IMPORTANTE: da leggere prima
di utilizzare l'apparecchio

INSTRUKTIONER

VIKTIGT: läs följande fullständiga
instruktioner för användningen
innan du använder laddaren

INSTRUKCE PRO POUŽITÍ.

DŮLEŽIT: Přečtěte si pozorně
před použitím

EN

FR

ES

PT

DE

NL

IT

SV

CZ



SOLAR

High efficiency polycrystalline solar panel.

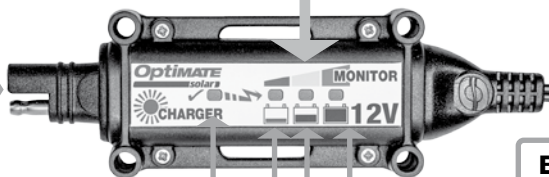
Panneau solaire polycristallin à haute efficacité - Panel solar policristalino de alta eficiencia - Painel solar policristalino de alta eficiência - Pannelo solare policristallino ad alta efficienza - Hocheffizientes polykristallines Solarpanel - Polykristallijn zonnepaneel met hoog rendement - Polykristallin solpanel med hög effektivitet - Vysoce efektivní polykrystalický solární panel - 高効率な多結晶ソーラーパネル。



MONITOR

Monitor battery State Of Charge -

Surveiller le niveau de charge - Monitor de nivel de carga - Monitora o nível de carga - Controlla il livello di carica - Ladezustand überwachen - Laadniveau controleren - Monitor laddningsnivå - Monitoruje stav nabití akumulátoru - 充電状態をチェック。



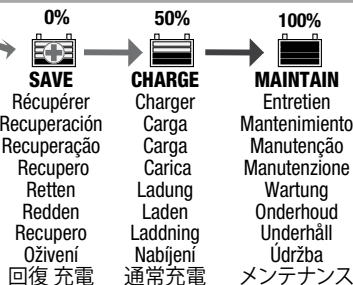
BATTERY

Pb

12V



CHARGE

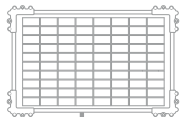


Safe to leave connected. Full electronic

protection. - Peut rester connecté en toute sécurité.

Protection électronique intégrale. - Seguro para dejar conectado. Protección electrónica completa. - Seguro para deixo conectado. Proteção eletrônica completa. - Sicuro di lasciare connesso. Protezione elettronica completa. - Sicher verbunden zu lassen. Voller elektronischer Schutz. - Veilig om verbonden te blijven. Volledige elektronische bescherming. - Säkert att lämna ansluten. Fullt elektroniskt skydd. - Bezpečné pro trvalé připojení. Plná elektronická ochrana. 保護機能により接続したままでも安全。

Optimate
solar



Polarity of exposed pin is Positive :
La polarité de la broche exposée est positive :
La polaridad del pin expuesto es positiva :
La polarità del pin esposti è positiva : Die
Polarität des freiliegenden Stifts ist positiv :
De blootliggende pinpolariteit is positief :
Polariteten hos utsatt stift är positiv : Polarita
exponovaného kolíku je pozitivni : 矢印が示
しているピンはプラス側です。

Pb
12V



Ø04



Ø11

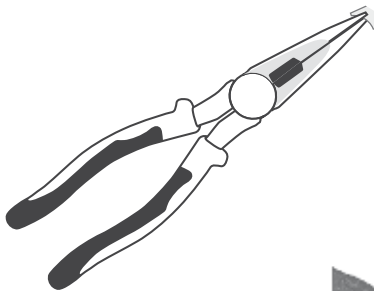
Ø11



M8
5/16"

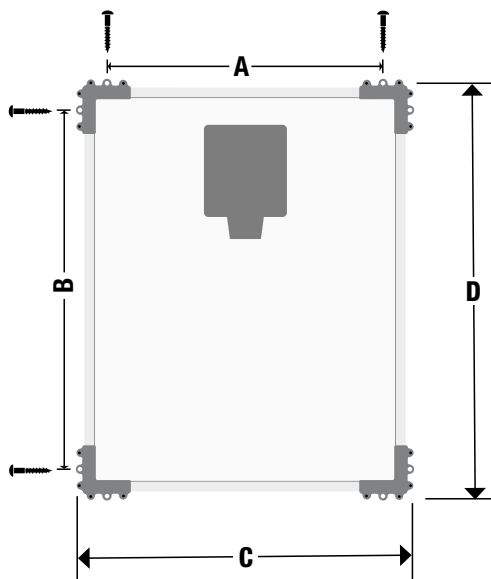
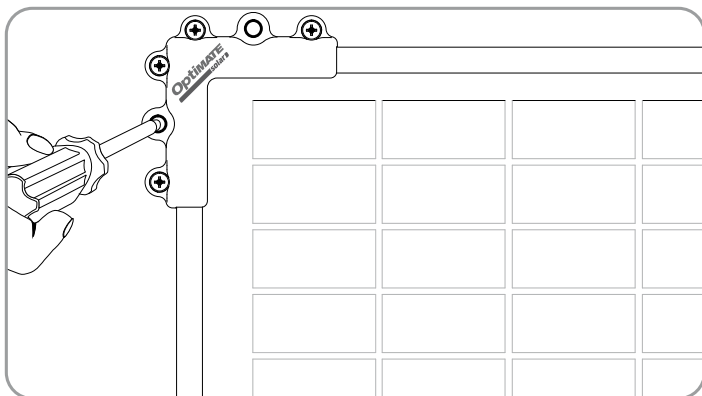


M10
3/8"



Permanent mount (x8)

Montage permanent. Montaje permanente. Fissagi permanente. Permanente Halterung. Permanente montage. Permanent fäste. Montagem permanente.



WATTS	A	B	C	D
60W	615mm (24.2")	588mm (23.1")	685mm (27")	648mm (25.5")
80W	615mm (24.2")	712mm (28")	685mm (27")	772mm (30.4")

Included with / inclus avec / incluido con / incluso con / inbegripen / inbegrepen bij / ingår i / součástí /

TM523-6TK & TM523-8TK

Adjustable rear stand - Adjusts panel to the most suitable angle for maximum solar power. Securing panel in position - Anchor points (x4) fit standard pegs / stakes (not included), or place a weight (e.g. sandbag) over the crossbar.

Béquille arrière réglable - Ajuste le panneau à l'angle le plus approprié pour une puissance solaire maximale. Fixation du panneau en position - Les points d'ancrage (x4) s'adaptent aux piquets / piquets standard (non inclus) ou placez un poids (par exemple un sac de sable) sur la barre transversale.

Soporte trasero ajustable - ajusta el panel en el ángulo más adecuado para obtener la máxima energía solar. Asegurar el panel en posición: los puntos de anclaje (x4) se ajustan a clavijas / estacas estándar (no incluidas) o colocan un peso (por ejemplo, una bolsa de arena) sobre la barra transversal.

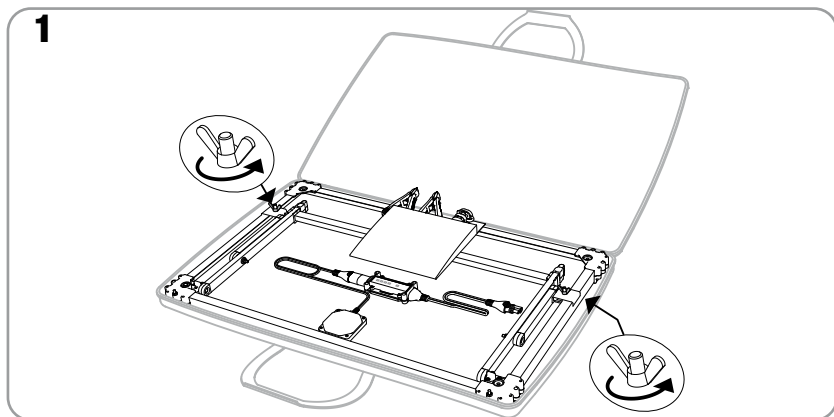
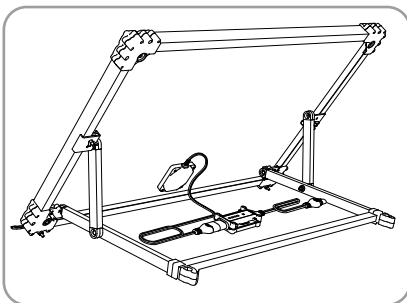
Cavalletto posteriore regolabile - Regola il pannello all'angolazione più adatta per la massima potenza solare. Fissaggio del pannello in posizione - I punti di ancoraggio (x4) si adattano a picchetti / picchetti standard (non inclusi) o posizionano un peso (ad es. Sacco di sabbia) sulla traversa.

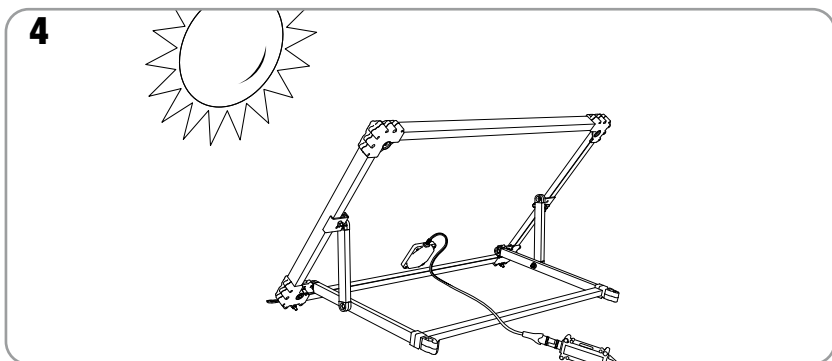
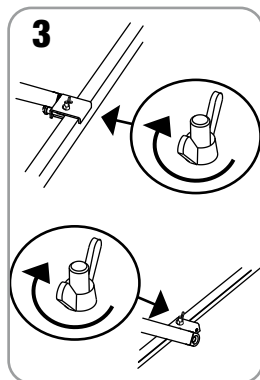
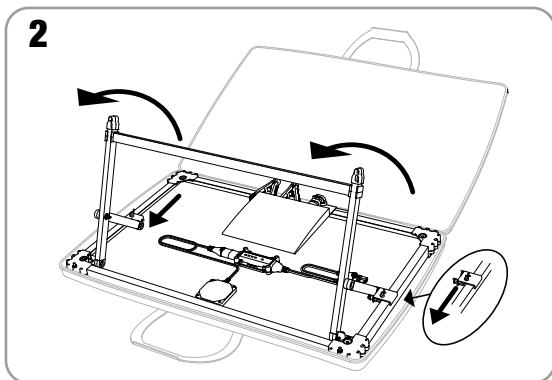
Verstellbarer hinterer Ständer - Stellt das Bedienfeld auf den am besten geeigneten Winkel für maximale Sonnenenergie ein. Befestigungsplatte in Position - Die Ankerpunkte (x4) passen auf Standardstifte / -pfähle (nicht im Lieferumfang enthalten) oder platzieren ein Gewicht (z. B. Sandsack) über der Querstange.

Verstelbare achterstandaard - Past het paneel in de meest geschikte hoek aan voor maximale zonnenergie. Paneel op zijn plaats bevestigen - Ankerpunten (x4) passen op standaard haringen / haringen (niet inbegrepen), of plaats een gewicht (bijv. Een zandzak) over de dwarsbalk.

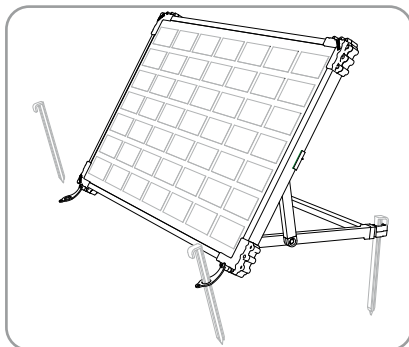
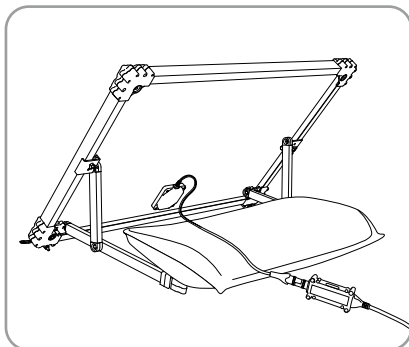
Justerbart bakre stativ - Jjusterar panelen i den mest lämpliga vinkeln för maximal solkraft. Säkra panelen i läge - Ankerpunkterna (x4) passar standardpinnar / insatser (ingår ej), eller lägg en vikt (t.ex. sandpåse) över tvärstången.

Nastavitelný zadní stojan - Nastavuje panel v nevhodnějším úhlu pro maximální sluneční energii. Zajištění panelu v poloze - Kotevní body (x4) připevňují standardní kolíky / kolíky (nejsou součástí dodávky) nebo nad příčku umístíte závaží (např. Pytel s pískem).





Protection against wind: Use bag of sand or pegs (not supplied) - **Protection contre le vent:** Utilisez un sac de sable ou des piquets (non fournis) - **Protección contra el viento:** use bolsa de arena o clavijas (no incluidas) - **Protezione contro il vento:** Utilizzare un sacco di sabbia o pioli (non forniti) - **Windschutz:** Verwenden Sie einen Beutel mit Sand oder Stiften (nicht im Lieferumfang enthalten) - **Bescherming tegen wind:** Gebruik zandzak of haringen (niet meegeleverd) - **Vindskydd:** Använd påse med sand eller pinnar (medföljer inte).



DO NOT USE FOR NiCd, NiMH, Li-Ion OR NON-RECHARGEABLE BATTERIES.

IMPORTANT: READ THE FOLLOWING INSTRUCTIONS BEFORE USING THE CHARGER.

NORTH AMERICAN SAFETY INSTRUCTIONS (see pages 10 & 11) ARE INCLUDED FOR CANADA & USA. IT IS OF THE UTMOST IMPORTANCE THAT EACH TIME, BEFORE USING THE CHARGER, YOU READ AND EXACTLY FOLLOW THESE INSTRUCTIONS. SAVE THESE INSTRUCTIONS.

This appliance can be used by children aged from 8 years and above and persons with reduced physical, sensory or mental capabilities or lack of experience and knowledge if they have been given supervision or instruction concerning use of the appliance in a safe way and understand the hazards involved. Children shall not play with the appliance. Cleaning and user maintenance shall not be made by children without supervision.

SAFETY WARNING AND NOTES: Batteries emit **EXPLOSIVE GASES - prevent flame or sparks near batteries.** Disconnect AC power supply before making or breaking DC/battery connections. Battery acid is highly corrosive. Wear protective clothing and eyewear and avoid contact. In case of accidental contact, wash immediately with soap and water. Check that the battery posts are not loose; if so, have the battery professionally assessed. If the battery posts are corroded, clean with a copper wire brush; if greasy or dirty clean with a rag damped in detergent. Use the charger only if the input and output leads and connectors are in good, undamaged condition. **If the input cable is damaged, it is essential to have it replaced without delay by the manufacturer, his authorised service agent or a qualified workshop, to avoid danger.** Protect your charger from acid and acid fumes and from damp and humid conditions both during use and in storage. Damage resulting from corrosion, oxidation or internal electrical short-circuiting is not covered by warranty. Distance the charger from the battery during charging to avoid contamination by or exposure to acid or acidic vapours. If using it in the horizontal orientation, place the charger on a hard, flat surface, but NOT on plastic, textile or leather. Use the fixing holes provided in the enclosure base to attach the charger to any convenient, sound vertical surface.

EXPOSURE TO LIQUIDS: This charger is designed to withstand exposure to liquids accidentally spilled or splashed onto the casing from above, or to light rainfall. Prolonged exposure to falling rain is inadvisable and longer service life will be obtained by minimizing such exposure. Failure of the charger due to oxidation resulting from the eventual penetration of liquid into the electronic components, connectors or plugs, is not covered by warranty.

BATTERY CONNECTIONS: 2 interchangeable connection sets are available, supplied with the charger is a set of battery clips for charging the battery off-vehicle, the other connection set comes with metal eyelet lugs for permanent connection to the battery posts, and re-sealable weatherproof cap on the connector that connects to the charger output cable. This connection set allows easy and sure connection of the charger to maintain the battery on-vehicle. The resealable weatherproof cap is designed to protect the connector from dirt and damp whenever the charger is not attached. Consult a professional service agent for assistance in attaching the metal eyelets to the battery posts. Secure the connector with weatherproof cap so that it cannot foul any moving part of the vehicle or the cable can be pinched or damaged by sharp edges. The in-line fuse in the eyelets connection set protects the battery against such accidental shorting across positive and negative conductors. Replace any burnt fuse only with a similar new fuse of 15A rating.

CONNECTING THE CHARGER TO THE BATTERY

1. Disconnect solar panel before making or breaking DC / battery connections.

2. If charging a battery in the vehicle with the battery clips, before making connections, first check that the battery clips can be safely and securely positioned clear from surrounding wiring, metal tubing or the chassis. Make connections in the following order:

First connect to the battery terminal not connected to the chassis (normally positive), then connect the other battery clip (normally negative) to the chassis well away from the battery and fuel line. Always disconnect in reverse sequence.

3. When charging a battery out of the vehicle with the battery clips, place it in a well ventilated area. Connect the charger to the battery: RED clamp to POSITIVE (POS, P or +) terminal and BLACK clamp to NEGATIVE (NEG, N or -) terminal. Make sure the connections are firm and secure. Good contact is important.

4. If the battery is deeply discharged (and possibly sulphated), remove from the vehicle and inspect the battery before connecting the charger for a recovery attempt. Visually check the battery for mechanical defects such as a bulging or cracked casing, or signs of electrolyte leakage. If the battery has filler caps and the plates within the cells can be seen from the outside, examine the battery carefully to try to determine if any cells seem different to the others (for example, with white matter between the plates, plates touching). If mechanical defects are apparent do not attempt to charge the battery, have the battery professionally assessed.
5. If the battery is new, before connecting the charger read the battery manufacturer's safety and operational instructions carefully. If applicable, carefully and exactly follow acid filling instructions.

OPERATION

LED INDICATIONS



CHARGER



12V

LED 1 – SOLAR

LED 2 – RED – Discharged / SAVE

LED 3 – YELLOW – Needs charge / CHARGE

LED 4 – GREEN – Battery ready / OptiMate 365 maintenance

- A. **BATTERY MONITOR MODE** - Battery connected without solar panel OR solar panel and battery is connected, but no sun: Three LEDs (#2, 3, 4) indicate 5 possible battery charge levels. Results before SOLAR charging starts in the morning, can be deemed most accurate.

NOTES: A battery's charge level is directly proportional to the voltage measured across the terminals. Accuracy improves once the battery has cooled to room temperature and has not received further charge for at least 6 hours or more. Environment temperature affects voltage, the result will worsen as the temperature falls further below 15°C / 60°F. Some batteries brands may have slightly different voltage and % charge parameters.

The LED corresponding to the battery condition will flash every 3 seconds. The Green 'charged' LED has two indication modes for different types of lead-acid batteries.

LED:	Voltage:	STD / flooded battery	AGM / hi performance
#4 Green (double flash)	12.7V+	100%+	91% or more
#4 Green (single flash)	12.5 – 12.7V	90 - 100%	61 – 90%
#3 yellow	12.3 – 12.49V	61 - 90%	41 – 60%
#2 red & #3 yellow	12.1 – 12.29V	40 – 59%	20 – 40%
#2 red	Less than 12.1V	Less than 40%	Less than 20%

- B. **CHARGE MODE** - Solar panel connected, no battery connected: Solar LED will light if the solar panel can deliver charge.

Solar panel AND battery connected : LED #1 flashes when charge current is being delivered to the battery. Speed of flashing corresponds to current delivered i.e. fast means high current, slow means low current (cloudy conditions or battery is not accepting high current).

LED 2, 3 or 4 indicate charge progress whilst SOLAR LED #1 is flashing.

LED ON:	CHARGE MODE:	Description:
LED #2 (RED)	SAVE	Battery save mode in progress - battery is deep discharged / sulphated or voltage at connection was less than 12.3V. Max. time: 2 hours
LED #3 (YELLOW)	CHARGE & OPTIMIZE	BULK CHARGE - maximum charge current up to 14.4V OPTIMIZE - final charge is delivered for minimum 10 minutes. Charging may continue if the battery requires further charging. Charge time is affected by strength of sun and size of battery.
LED #4 (GREEN)	MAINTAIN	The battery is being maintained up to a maximum voltage of 13.6V.

DAILY MAINTENANCE CYCLE: When the solar panel starts delivering power (e.g. in the morning when the sun comes up) the OptiMate Solar controller assesses the battery's charge level to decide the appropriate charge mode.

BATTERY CHARGED, MAINTAIN ONLY: If the battery is sufficiently charged, LED #4 will immediately light together with LED #1 (flashing).

BATTERY NEEDS CHARGE: If the battery needs further charging LED #2 or 3 will light together with LED #1 (flashing).

When the solar panel stops delivering power (sun has gone down in the evening or cloud covers sun) the OptiMate Solar controller changes to BATTERY MONITOR mode and will continue to indicate battery condition every 3 seconds.

MULTI-STEP CHARGE MODE: The OptiMate Solar controller automatically alternates between pulse and continuous current mode to always deliver the most efficient and fastest charge. The selected method of current delivery depends on

- 1) Condition of the battery – PULSE : Pulse mode is more effective in saving a battery.
- 2) Power delivered by solar panel –
 - a. PULSE: when the power is low (weak sun / cloud cover) pulses of effective charge current is delivered. Current pulses of 3 – 5 Amps may be delivered, at minimum every 2 seconds.
 - b. CONTINUOUS: when the power received from the panel is sufficient the controller delivers continuous charge current to the battery during the BULK CHARGE mode (LED #3).

NOTES:

1. **Choosing the right size of solar panel:** 12V solar panels are rated according to the maximum output it is able to deliver in direct and full sunlight to a fixed 12V load. Maximum power is rarely achieved; output can drop below 20% in indirect sunlight (e.g. cloud cover).

For effective long-term battery maintenance choose a panel that will deliver sufficient current to overcome the parasitic draw of the vehicle circuitry (such as alarm, clock, engine control unit) and return charge lost overnight. Typical parasitic drain: 10-20mA for a motorcycle / power sport vehicle and 30-50mA for a car or pick-up truck fitted with a 12V battery.

2. **Speed up recovery of a neglected battery** – Use an OptiMate 3, 4, 5 or 6 that connects directly to AC power to recover the battery. Find the appropriate OptiMate charger at www.optimate1.com
3. **Test a battery** – Find the appropriate OptiMate tester at www.optimate1.com
4. The OptiMate SOLAR will maintain a battery whose basic condition is good, for months at a time. At least once every two weeks, check that the connections between the charger and battery are secure, and, in the case of batteries with filler caps on each cell, disconnect the battery from the charger, check the level of the electrolyte and if necessary, top up the cells (**with distilled water, NOT acid**), then reconnect. When handling batteries or in their vicinity, always take care to observe the SAFETY WARNINGS contained in this manual.

LIMITED WARRANTY

TecMate (International) SA, Sint-Truidensesteenweg 252, B-3300 Tienen, Belgium, makes this limited warranty to the original purchaser at retail of this product. This limited warranty is not transferable. TecMate (International) warrants this battery charger for three years from date of purchase at retail against defective material or workmanship. If such should occur the unit will be repaired or replaced at the option of the manufacturer. It is the obligation of the purchaser to forward the unit together with proof of purchase (see NOTE), transportation or mailing costs prepaid, to the manufacturer or its authorized representative. This limited warranty is void if the product is misused, subjected to careless handling, or repaired by anyone other than the factory or its authorized representative. The manufacturer makes no warranty other than this limited warranty and expressly excludes any implied warranty including any warranty for consequential damages.

THIS IS THE ONLY EXPRESS LIMITED WARRANTY AND THE MANUFACTURER NEITHER ASSUMES NOR AUTHORIZES ANYONE TO ASSUME OR MAKE ANY OTHER OBLIGATION TOWARDS THE PRODUCT OTHER THAN THIS EXPRESS LIMITED WARRANTY. YOUR STATUTORY RIGHTS ARE NOT AFFECTED.

NOTE: Details at www.tecmate.com/warranty.

WARRANTY in Canada, USA, Central America & South America:

TecMate North America, Oakville, ON, Canada, as a wholly owned subsidiary of TecMate International, assumes the responsibility for product warranty in these regions.

More information on TecMate products can be found at www.tecmate.com.

THIS PORTION OF THE MANUAL CONTAINS IMPORTANT SAFETY INSTRUCTIONS FOR THE OPTIMATE SOLAR BATTERY CHARGER. IT IS OF THE UTMOST IMPORTANCE THAT EACH TIME, BEFORE USING THE CHARGER, YOU READ AND EXACTLY FOLLOW THESE INSTRUCTIONS. SAVE THESE INSTRUCTIONS.

AUTOMATIC CHARGER FOR 12V LEAD-ACID BATTERIES

DO NOT USE FOR NiCd, NiMH, any other Li-Ion OR NON-RECHARGEABLE BATTERIES.

1. CAUTION : 12V DC APPLIANCE. DO NOT CONNECT TO AC POWER.

- For indoor use only. Do not expose charger to rain or snow.
- Use of an attachment not recommended or sold by the battery charger manufacturer may result in a risk of fire, electric shock, or injury to persons.
- To reduce risk of damage to electric plug and cord, pull by plug rather than cord when disconnecting charger.
- An extension cord should not be used unless absolutely necessary. Use of improper extension cord could result in a risk of fire and electric shock. If extension cord must be used make sure that :
 - pins on plug of extension cord are the same number, size and shape as those of plug on charger.
 - the extension cord is properly wired and in good electrical condition, and
 - the conductor wire size is large enough for the DC ampere rating of the charger as specified in the table below.

DC INPUT RATING IN AMPERES		LENGTH OF CORD, FEET (m)	AWG SIZE OF CORD
Equal to or greater than	But less than		
2A	3A	25 (17.6)	18
		50 (15.2)	16
		100 (30.5)	14

- Do not operate charger with damaged cord or plug - replace the cord or plug immediately.
- Do not operate charger if it has received a sharp blow, been dropped, or otherwise damaged in any way; take it to a qualified serviceman.
- Do not disassemble charger; take it to a qualified serviceman when service or repair is required.
Incorrect reassembly may result in a risk of electric shock or fire.
- To reduce risk of electric shock, unplug the charger from supply before attempting any maintenance or cleaning.
Turning off controls will not reduce this risk. Clean only with slightly moist, not wet, cloth. Do not use solvents.
- WARNING – RISK OF EXPLOSIVE GASES.**
 - WORKING IN VICINITY OF A LEAD-ACID BATTERY IS DANGEROUS. BATTERIES GENERATE EXPLOSIVE GASES DURING NORMAL BATTERY OPERATION. FOR THIS REASON, IT IS OF UTMOST IMPORTANCE THAT YOU FOLLOW THE INSTRUCTIONS EACH TIME YOU USE THE CHARGER.**
 - To reduce risk of battery explosion, follow these instructions and those published by the battery manufacturer and manufacturer of any equipment you intend to use in vicinity of the battery. Review cautionary marking on these products and on engine.

11. PERSONAL PRECAUTIONS.

- Someone should be within range of your voice OR close enough to come to your aid when you work near a lead-acid battery.
- Have plenty of fresh water and soap nearby in case battery acid contacts skin, clothing or eyes.
- Wear complete eye protection and clothing protection. Avoid touching eyes while working near battery.
- If battery acid contacts or enters eye, flood eye with cold running water for at least 10 minutes and get medical attention immediately. If battery acid contacts skin or clothing, wash immediately with soap & water. If acid enters an eye, immediately flood eye with running cold water for at least 10 minutes & get medical attention immediately.
- NEVER smoke or allow a spark or flame in vicinity of battery or engine.
- Be extra cautious to reduce risk of dropping a metal tool onto battery. It might spark or short-circuit battery or other electrical part that may cause explosion.
- Remove personal metal items such as rings, bracelets, necklaces, and watches when working with a lead-acid battery. A lead-acid battery can produce a short-circuit current high enough to weld a ring or the like to metal, causing a severe burn.
- NEVER charge a frozen battery.

12. PREPARING TO CHARGE

- If necessary to remove battery from vehicle to charge, always remove grounded terminal from battery first. Make sure all accessories in the vehicle are off, so as not to cause an arc.
- Be sure area around battery is well ventilated while battery is being charged. Gas can be forcefully blown away by using a piece of cardboard or other non-metallic material as a fan.
- Clean battery terminals. Be careful to keep corrosion from coming in contact with eyes.
- Add distilled water in each cell until battery acid reaches level specified by battery manufacturer. This helps purge excessive gas from cells. Do not overfill. For a battery without cell caps, such as valve regulated lead acid (VRLA) or absorbed glass mat (AGM) batteries, carefully follow manufacturer's recharging instructions.
- Study all battery manufacturer's specific precautions such as removing or not removing cell caps while charging and recommended rates of charge.
- Determine voltage of battery by referring to vehicle or other user's manual and **BEFORE MAKING THE BATTERY CONNECTIONS, MAKE SURE THAT THE VOLTAGE OF THE BATTERY YOU ARE GOING TO CHARGE MATCHES THE OUTPUT VOLTAGE OF THE CHARGER.**

13. CHARGER LOCATION.

- Locate charger as far away from battery as DC cables permit.
- Never place charger directly above battery being charged; gases from battery will corrode and damage the charger.
- Never allow battery acid to drip on charger when reading gravity or filling battery. Do not operate charger in a closed-in area or restrict ventilation in any way.
- Do not set a battery on top of charger. **IMPORTANT:** Place charger on a hard flat surface or mount onto a vertical surface. Do not place on plastic, leather or textile surface.

14. DC CONNECTION PRECAUTIONS

- Connect and disconnect DC output clips only after setting any charger switches to off position and removing DC cord from supply. Never allow clips to touch each other, however should this happen no damage will result to the charger circuit & the automatic charging programme will just reset to -start-.

- Attach clips to battery and chassis as indicated in 15(e), 15(f), and 16(b) through 16(d).

NOTE : This battery charger has an automatic safety feature that will prevent it from operating if the battery has been inversely connected. Set charger switches to off position and/or remove DC cord from the DC supply, disconnect the battery clips, then reconnect correctly according to the instructions below.

15. FOLLOW THESE STEPS WHEN BATTERY IS INSTALLED IN VEHICLE. A SPARK NEAR A BATTERY MAY CAUSE BATTERY EXPLOSION. TO REDUCE RISK OF A SPARK NEAR BATTERY :

- Position AC and DC cords so as to reduce risk of damage by hood, door or moving engine part.
- Stay clear of fan-blades, belts, pulleys, and other parts that can cause injury to persons.
- Check polarity of battery posts. POSITIVE (POS, P, +) battery post usually has larger diameter than NEGATIVE (NEG, N, -) post.
- Determine which post of battery is grounded (connected) to the chassis. If negative post is grounded to chassis (as in most vehicles), see (e). If positive post is grounded to the chassis, see (f).
- For negative-grounded vehicle, connect POSITIVE (RED) clip from battery charger to POSITIVE (POS, P, +) ungrounded post of battery. Connect NEGATIVE (BLACK) clip to vehicle chassis or engine block away from battery. Do not connect clip to carburetor, fuel lines, or sheet-metal body parts. Connect to a heavy gage metal part of the frame or engine block.
- For positive-grounded vehicle, connect NEGATIVE (BLACK) clip from battery charger to NEGATIVE (NEG, N, -) ungrounded post of battery. Connect POSITIVE (RED) clip to vehicle chassis or engine block away from battery. Do not connect clip to carburetor, fuel lines, or sheet-metal body parts. Connect to a heavy gage metal part of the frame or engine block.
- When disconnecting charger, turn switches to off, disconnect AC cord, remove clip from vehicle chassis, and then remove clip from battery terminal.
- See operating instructions for length of charge information.

16. FOLLOW THESE STEPS WHEN BATTERY IS OUTSIDE VEHICLE. A SPARK NEAR THE BATTERY MAY CAUSE BATTERY EXPLOSION. TO REDUCE RISK OF A SPARK NEAR BATTERY :

- Check polarity of battery posts. POSITIVE (POS, P, +) battery post usually has a larger diameter than NEGATIVE (NEG, N, -) post.
- This battery charger has an automatic safety feature that will prevent it from operating if the battery has been inversely connected. The charger does not allow charge current unless a voltage of at least 1V is sensed.
- Connect POSITIVE (RED) charger clip to POSITIVE (POS, P, +) post of battery.
- Connect NEGATIVE (BLACK) charger clip to NEGATIVE (NEG, N, -) battery post of the battery.
- Do not face battery when making final connection.
- When disconnecting charger, always do so in reverse sequence of connecting procedure & break first connection while as far away from battery as practical.
- A marine (boat) battery must be removed & charged on shore. To charge it on board requires equipment specially designed for marine use.

**INSTRUCTIONS IMPORTANTES CONCERNANT LA SÉCURITÉ DU
CHARGEUR OPTIMATE SOLAR.****CHARGEUR AUTOMATIQUE POUR BATTERIES 12V PLOMB-ACIDE****NE CONVIENT PAS POUR LES BATTERIES NiCd, NiMH, Li-Ion
OU NON RECHARGEABLES.****FR****AVERTISSEMENT :**

N'utiliser l'appareil qu'à l'intérieur. Ne pas exposer à la pluie ou à la neige.

ATTENTION: appareil à alimentation CC 12V. NE PAS CONNECTER UNE ALIMENTATION AC.

- a) CONSERVER CES INSTRUCTIONS. CE MANUEL CONTIENT DES INSTRUCTIONS IMPORTANTES CONCERNANT LA SÉCURITÉ ET LE FONCTIONNEMENT.
- b) IL EST DANGEREUX DE TRAVAILLER À PROXIMITÉ D'UNE BATTERIE AU PLOMB. LES BATTERIES PRODUISENT DES GAZ EXPLOSIFS EN SERVICE NORMAL. IL EST AUSSI IMPORTANT DE TOUJOURS RELIRE LES INSTRUCTIONS AVANT D'UTILISER LE CHARGEUR ET DE LES SUIVRE À LA LETTRE.
- c) POUR RÉDUIRE LE RISQUE D'EXPLOSION, LIRE CES INSTRUCTIONS ET CELLES QUI FIGURENT SUR LA BATTERIE.
- d) NE JAMAIS FUMER PRÈS DE LA BATTERIE OU DU MOTEUR ET ÉVITER TOUTE ÉTINCELLE OU FLAMME NUE À PROXIMITÉ DE CES DERNIERS.
- e) UTILISER LE CHARGEUR POUR CHARGER UNE BATTERIE AU PLOMB UNIQUEMENT. CE CHARGEUR N'EST PAS CONÇU POUR ALIMENTER UN RÉSEAU ÉLECTRIQUE TRÈS BASSE TENSION NI POUR CHARGER DES PILES SÈCHES. LE FAIT D'UTILISER LE CHARGEUR POUR CHARGER DES PILES SÈCHES POURRAIT ENTRAÎNER L'ÉCLATEMENT DES PILES ET CAUSER DES BLESSURES OU DES DOMMAGES.
- f) NE JAMAIS CHARGER UNE BATTERIE GELÉE.
- g) S'IL EST NÉCESSAIRE DE RETIRER LA BATTERIE DU VÉHICULE POUR LA CHARGER, TOUJOURS DÉBRANCHER LA BORNE DE MISE À LA MASSE EN PREMIER. S'ASSURER QUE LE COURANT AUX ACCESSOIRES DU VÉHICULE EST COUPÉ AFIN D'ÉVITER LA FORMATION D'UN ARC.
- h) PRENDRE CONNAISSANCE DES MESURES DE PRÉCAUTION SPÉCIFIÉES PAR LE FABRICANT DE LA BATTERIE, P. EX., VÉRIFIER S'IL FAUT ENLEVER LES BOUCHONS DES CELLULES LORS DU CHARGEMENT DE LA BATTERIE, ET LES TAUX DE CHARGEMENT RECOMMANDÉS.
- i) SI LE CHARGEUR COMPORTE UN SÉLECTEUR DE TENSION DE SORTIE, CONSULTER LE MANUEL DE L'USAGER DE LA VOITURE POUR DÉTERMINER LA TENSION DE LA BATTERIE ET POUR S'ASSURER QUE LA TENSION DE SORTIE EST APPROPRIÉE. SI LE CHARGEUR N'EST PAS MUNI D'UN SÉLECTEUR, NE PAS UTILISER LE CHARGEUR À MOINS QUE LA TENSION DE LA BATTERIE NE SOIT IDENTIQUE À LA TENSION DE SORTIE NOMINALE DU CHARGEUR.
- j) NE JAMAIS PLACER LE CHARGEUR DIRECTEMENT SOUS LA BATTERIE À CHARGER OU AU-DESSUS DE CETTE DERNIÈRE. LES GAZ OU LES FLUIDES QUI S'ÉCHAPPENT DE LA BATTERIE PEUVENT ENTRAÎNER LA CORROSION DU CHARGEUR OU L'ENDOMMAGER. PLACER LE CHARGEUR AUSSI LOIN DE LA BATTERIE QUE LES CABLES C.C. LE PERMETTENT.
- k) NE PAS FAIRE FONCTIONNER LE CHARGEUR DANS UN ESPACE CLOS ET/OU NE PAS GÉNER LA VENTILATION.
- l) METTRE LES INTERRUPTEURS DU CHARGEUR HORS CIRCUIT ET RETIRER LE CORDON D'ALIMENTATION C.C. AVANT DE METTRE ET D'ENLEVER LES PINCES DU CORDON C.C. S'ASSURER QUE LES PINCES NE SE TOUCHENT PAS.
- m) SUIVRE LES ÉTAPES SUIVANTES LORSQUE LA BATTERIE SE TROUVE DANS LE VÉHICULE.

UNE ÉTINCELLE PRÈS DE LA BATTERIE POURRAIT PROVOQUER L'EXPLOSION DE CETTE DERNIÈRE. POUR RÉDUIRE LE RISQUE D'ÉTINCELLE À PROXIMITÉ DE LA BATTERIE :

- (i) PLACER LES CORDONS C.C. DE MANIÈRE À ÉVITER QU'ILS SOIENT ENDOMMAGÉS PAR LE CAPOT, UNE PORTIÈRE OU LES PIÈCES EN MOUVEMENT DU MOTEUR ;
- (ii) FAIRE ATTENTION AUX PALES, AUX COURROIES ET AUX POULIES DU VENTILATEUR AINSI QU'À TOUTE AUTRE PIÈCE SUSCEPTIBLE DE CAUSER DES BLESSURES ;
- (iii) VÉRIFIER LA POLARITÉ DES BORNES DE LA BATTERIE. LE DIAMÈTRE DE LA BORNE POSITIVE (POS, P, +) EST GÉNÉRALEMENT SUPÉRIEUR À CELUI DE LA BORNE NÉGATIVE (NÉG, N, -) ;
- (iv) DÉTERMINER QUELLE BORNE EST MISE À LA MASSE (RACCORDÉE AU CHÂSSIS). SI LA BORNE NÉGATIVE EST RACCORDÉE AU CHÂSSIS (COMME DANS LA PLUPART DES CAS), VOIR LE POINT (v). SI LA BORNE POSITIVE EST RACCORDÉE AU CHÂSSIS, VOIR LE POINT (vi) ;

- (v) SI LA BORNE NÉGATIVE EST MISE À LA MASSE, RACCORDER LA PINCE POSITIVE (ROUGE) DU CHARGEUR À LA BORNE POSITIVE (POS, P, +) NON MISE À LA MASSE DE LA BATTERIE. RACCORDER LA PINCE NÉGATIVE (NOIRE) AU CHÂSSIS DU VÉHICULE OU AU MOTEUR, LOIN DE LA BATTERIE. NE PAS RACCORDER LA PINCE AU CARBURATEUR, AUX CANALISATIONS D'ESSENCE NI AUX PIÈCES DE LA CARROSSERIE EN TÔLE. RACCORDER À UNE PIÈCE DU CADRE OU DU MOTEUR EN TÔLE DE FORTE ÉPAISSEUR ;
- (vi) SI LA BORNE POSITIVE EST MISE À LA MASSE, RACCORDER LA PINCE NÉGATIVE (NOIRE) DU CHARGEUR À LA BORNE NÉGATIVE (NÉG, N, -) NON MISE À LA MASSE DE LA BATTERIE. RACCORDER LA PINCE POSITIVE (ROUGE) AU CHÂSSIS DU VÉHICULE OU AU MOTEUR, LOIN DE LA BATTERIE. NE PAS RACCORDER LA PINCE AU CARBURATEUR, AUX CANALISATIONS D'ESSENCE NI AUX PIÈCES DE LA CARROSSERIE EN TÔLE. RACCORDER À UNE PIÈCE DU CADRE OU DU MOTEUR EN TÔLE DE FORTE ÉPAISSEUR ;
- (vii) BRANCHER LE CORDON D'ALIMENTATION C.A. DU CHARGEUR ;
- (viii) POUR INTERROMPRE L'ALIMENTATION DU CHARGEUR, METTRE LES INTERRUPTEURS HORS CIRCUIT, RETIRER LE CORDON C.A. DE LA PRISE, ENLEVER LA PINCE RACCORDÉE AU CHÂSSIS ET EN DERNIER LIEU CELLE RACCORDÉE À LA BATTERIE.
- n) SUIVRE LES ÉTAPES SUIVANTES LORSQUE LA BATTERIE EST À L'EXTÉRIEUR DU VÉHICULE.
- UNE ÉTINCELLE PRÈS DE LA BATTERIE POURRAIT PROVOQUER L'EXPLOSION DE CETTE DERNIÈRE. POUR RÉDUIRE LE RISQUE D'ÉTINCELLE À PROXIMITÉ DE LA BATTERIE :
- (i) VÉRIFIER LA POLARITÉ DES BORNES DE LA BATTERIE. LE DIAMÈTRE DE LA BORNE POSITIVE (POS, P, +) EST GÉNÉRALEMENT SUPÉRIEUR À CELUI DE LA BORNE NÉGATIVE (NÉG, N, -) ;
- (ii) RACCORDER UN CÂBLE DE BATTERIE ISOLÉ No 6 AWG MESURANT AU MOINS 60 CM DE LONGUEUR À LA BORNE NÉGATIVE (NÉG, N, -) ;
- (iii) RACCORDER LA PINCE POSITIVE (ROUGE) À LA BORNE POSITIVE (POS, P, +) DE LA BATTERIE ;
- (iv) SE PLACER ET TENIR L'EXTRÉMITÉ LIBRE DU CÂBLE AUSSI LOIN QUE POSSIBLE DE LA BATTERIE, PUIS RACCORDER LA PINCE NÉGATIVE (NOIRE) DU CHARGEUR À L'EXTRÉMITÉ LIBRE DU CÂBLE ;
- (v) NE PAS SE PLACER FACE À LA BATTERIE POUR EFFECTUER LE DERNIER RACCORDEMENT ;
- (vi) RACCORDER LE CORDON D'ALIMENTATION C.A. DU CHARGEUR À LA PRISE ;
- (vii) POUR INTERROMPRE L'ALIMENTATION DU CHARGEUR, METTRE LES INTERRUPTEURS HORS CIRCUIT, RETIRER LE CORDON D'ALIMENTATION C.C., ENLEVER LA PINCE RACCORDÉE AU CHÂSSIS ET EN DERNIER LIEU CELLE RACCORDÉE À LA BATTERIE. SE PLACER AUSSI LOIN QUE POSSIBLE DE LA BATTERIE POUR DÉFAIRE LA PREMIÈRE CONNEXION.

Optimate

solar

**NE CONVIENT PAS POUR LES BATTERIES NiCd, NiMH, Li-Ion
OU NON RECHARGEABLES.**

**IMPORTANT : LIRE ENTIÈREMENT LES INSTRUCTIONS SUIVANTES
AVANT D'UTILISER LE CHARGEUR**

Cet appareil n'est pas destiné à être utilisé par des personnes (y compris des enfants) possédant des capacités physiques, sensorielles ou mentales réduites, ou manquant d'expérience et de connaissance, sauf si elles bénéficient d'une surveillance ou ont reçu des instructions concernant l'utilisation de l'appareil d'une personne responsable de leur sécurité. Les enfants doivent faire l'objet d'une surveillance pour s'assurer qu'ils ne jouent pas avec l'appareil.

AVERTISSEMENT DE SÉCURITÉ et REMARQUES : Les batteries émettent des GAZ EXPLOSIFS - il faut interdire les flammes ou les étincelles à proximité.

Avant d'établir ou de rompre les connexions de courant continu à la batterie, déconnecter l'alimentation secteur. L'acide des batteries est un puissant corrosif. Porter des vêtements et lunettes protecteurs et éviter tout contact. En cas de contact accidentel, laver immédiatement à l'eau et au savon. S'assurer que les bornes des batteries ne sont pas branlantes ; le cas échéant la batterie doit subir une évaluation professionnelle. Si les bornes sont corrodées, nettoyer à l'aide d'une brosse de cuivre ; s'ils sont gras ou sales, nettoyer à l'aide d'un torchon trempé dans du détergent. Utiliser uniquement le chargeur si les câbles et connecteurs d'entrée et de sortie sont en bon état et non endommagés. Si le câble d'entrée est endommagé, il est essentiel de le faire remplacer par le constructeur, son agent de service autorisé ou un atelier qualifié, pour éviter tout danger. Protéger le chargeur contre les acides et fumées acides, l'humidité et un environnement humide, aussi bien durant l'usage que l'entreposage. Les dégâts résultant de la corrosion, de l'oxydation ou de courts-circuits internes ne sont pas couverts par la garantie. Durant le chargement, éloigner le chargeur de la batterie pour éviter la contamination par l'acide ou les vapeurs acides ou l'exposition à ceux-ci. En cas d'utilisation horizontale, placer le chargeur sur une surface dure et plane, PAS en plastique, tissu ou cuir. Utiliser les trous de fixation de la base pour fixer le chargeur sur toute surface verticale appropriée et solide.

EXPOSITION AUX LIQUIDES : Ce chargeur est conçu pour résister à l'exposition aux liquides qui tomberaient accidentellement sur le boîtier, ou à une pluie légère. Une exposition prolongée à des liquides tombants ou à la pluie est à déconseiller. Une durée de vie supérieure résultera d'une telle précaution. Une panne due à l'oxydation résultant d'une pénétration de liquide dans les composants électroniques, blocs connecteurs ou fiches, ne sera pas couverte par la garantie.

CONNEXIONS DE BATTERIE : l'appareil est livré avec deux jeux de connexion interchangeable, l'un muni de pinces crocodiles pour le chargement de batteries hors véhicule, l'autre, optionnel, disposant de cosses à œillets pour la connexion permanente aux bornes de batterie, ainsi que d'un capuchon résistant aux intempéries réouvrable sur le connecteur relié au chargeur. Ce jeu de connexion permet la connexion sûre et facile du chargeur à la batterie sur véhicule. Le capuchon résistant aux intempéries réouvrable est conçu pour protéger le connecteur contre la saleté et l'humidité lorsque le chargeur n'est pas connecté. Consulter un agent de service professionnel pour toute assistance à la connexion des œillets métalliques aux bornes de batterie. Assurer le connecteur avec le capuchon résistant aux intempéries de manière à ce qu'il ne puisse gêner aucune pièce mobile du véhicule et pour éviter le pincement du câble ou son endommagement par des bords tranchants. Le fusible en ligne du jeu de connecteurs à œillets protège la batterie contre le court-circuitage accidentel des pôles positif et négatif. Remplacer un fusible sauté uniquement par un autre similaire de 15A.

FR

BRANCHEMENT DU CHARGEUR A LA BATTERIE

1. Débranchez l'alimentation secteur avant d'effectuer un branchement CC/batterie ou de le débrancher.
2. Si vous chargez une batterie installée dans le véhicule avec les pinces pour batterie, avant les branchements, vérifiez d'abord que les pinces pour batterie peuvent être positionnées en toute sécurité loin du câblage voisin, d'un tube métallique ou du châssis. Respectez l'ordre qui suit : branchez d'abord la borne de la batterie non raccordée au châssis (normalement positive) puis, branchez l'autre pince pour batterie (normalement négative) au châssis à un endroit bien éloigné de la batterie et du conduit de carburant. Débranchez toujours dans l'ordre inverse.
3. Lorsque vous chargez une batterie hors du véhicule avec les pinces pour batterie, placez-la dans un endroit bien ventilé. Branchez le chargeur à la batterie : La pince ROUGE sur la borne POSITIVE (POS, P ou +) et la pince NOIRE sur la borne NÉGATIVE (NEG, N ou -). Vérifiez que les branchements sont bien fixés. Un bon contact est important.
4. **Si la batterie est complètement déchargée (et probablement sulfatée), retirez-la du véhicule et inspectez la batterie avant de brancher le chargeur pour une tentative de récupération.** Vérifiez visuellement la batterie à la recherche de défauts mécaniques tels qu'un gonflement ou un boîtier craquelé ou encore de signes de fuite d'électrolyte. Si la batterie présente des bouchons de remplissage et que les plaques des cellules sont visibles de l'extérieur, examinez soigneusement la batterie pour tenter de déterminer si certaines cellules semblent différentes des autres (par exemple, de la matière blanche entre les plaques, les plaques qui entrent en contact). Si vous avez détecté des défauts mécaniques, ne chargez pas la batterie et faites-la examiner par un professionnel.
5. **Si la batterie est neuve**, avant de brancher le chargeur, lisez attentivement les instructions d'utilisation et de sécurité fournies par le fabricant de la batterie. Si besoin est, suivez attentivement et exactement les instructions relatives au remplissage de l'acide.

Tous les chargeurs OptiMate SOLAR (modèles 6 V, 8 V et 12 V) fonctionnent depuis un panneau SOLAIRE conçu pour le chargement de batteries 12 V et offrant une puissance nominale comprise entre 2 W et 15 W. Ils régulent la tension et le courant en tenant compte de la batterie connectée. L'efficacité du chargement est accrue grâce à la conversion du faible courant délivré par le panneau solaire en impulsions de grande intensité.

Pour savoir quel panneau solaire choisir, reportez-vous au tableau 1 (illustration 1) et lisez la NOTE 1 : **Sélection de la taille de panneau solaire appropriée.**

UTILISATION DE L'OPTIMATE SOLAR

LED INDICATIONS



CHARGER



12V

LED 1 – SOLAIRE

LED 2 – ROUGE – Batterie déchargée/RÉCUPÉRATION

LED 3 – JAUNE – Batterie à charger/CHARGE

LED 4 – VERTE – Batterie prête/Maintien de la charge OptiMate 365 j/an

A. **MODE SUIVI DE BATTERIE - La batterie est connectée sans panneau solaire OU le panneau solaire et la batterie sont connectés, mais le soleil fait défaut :** trois LED (n° 2, 3 et 4) indiquent 5 niveaux de charge possibles pour la batterie. Les

résultats obtenus avant que ne débute la charge SOLAIRE le matin peuvent être considérés comme les plus précis.

REMARQUES : le niveau de charge d'une batterie est directement proportionnel à la tension mesurée aux bornes. La précision s'améliore dès lors que la température de la batterie s'aligne sur la température ambiante et que la batterie n'a pas reçu de charge complémentaire depuis au minimum 6 heures. La température ambiante influe sur la tension. Les résultats deviennent moins bons lorsqu'elle chute en dessous de 15 °C. Les paramètres de tension et de pourcentage de charge peuvent légèrement varier selon la marque de la batterie.

La LED signalant l'état de la batterie clignote toutes les 3 secondes. La LED de couleur verte qui indique que la batterie est chargée présente deux modes d'indication pour les différents types de batterie plomb-acide.

LED:	Tension:	Batterie standard / à électrolyte liquide	Batterie AGM / haute performance
LED verte n° 4 (clignotement double)	12,7 V+	100 %+	91 % ou plus
LED verte n° 4 (clignotement simple)	12,5 – 12,7 V	90 - 100 %	61 – 90 %
LED jaune n° 3	12,3 – 12,49 V	61 - 90 %	41 – 60 %
LED rouge n° 2 et LED jaune n° 3	12,1 – 12,29 V	40 – 59 %	20 – 40 %
LED rouge n° 2	Moins de 12,1 V	Moins de 40 %	Moins de 20 %

FR

- B. **MODE DE CHARGE** - Le panneau solaire est connecté, mais aucune batterie n'est branchée : la LED solaire s'allumera si le panneau solaire peut fournir la charge.

Le panneau solaire ET une batterie sont connectés : la LED n° 1 clignote lorsque du courant de charge est envoyé dans la batterie. La vitesse de clignotement dépend du courant délivré. En d'autres termes, le clignotement est rapide si le courant est élevé et lent si le courant est faible (ce dernier cas se présente lorsque le temps est nuageux ou lorsque la batterie ne tolère pas un courant élevé).

Les LED n° 2, 3 ou 4 indiquent la progression de la charge tandis que la LED SOLAIRE n° 1 clignote.

LED ALLUMÉE:	Mode de Charge	Description:
LED n° 2 (ROUGE)	RÉCUPÉRATION	Mode de récupération de la batterie activé : la batterie est fortement déchargée/ sulfatée ou la tension au moment du raccordement est inférieure à 12,3 V. Durée max. : 2 heures.
LED n° 3 (JAUNE)	CHARGE ET OPTIMISATION	CHARGE PRINCIPALE : courant de charge maximal pouvant atteindre jusqu'à 14,4 V. OPTIMISATION : la charge finale est délivrée pendant au moins 10 minutes. La charge peut se poursuivre au-delà si la batterie a besoin d'être davantage chargée. L'intensité du soleil ainsi que la taille de la batterie déterminent le temps de charge.
LED n° 4 (VERTE)	MAINTIEN DE LA CHARGE	La charge de la batterie est maintenue jusqu'à une tension maximale de 13,6 V.

CYCLE QUOTIDIEN DE MAINTIEN DE LA CHARGE : au moment où le panneau solaire commence à fournir du courant (par exemple le matin, lorsque le soleil se lève), le contrôleur OptiMate Solar évalue le niveau de charge de la batterie afin d'identifier le mode de charge approprié.

BATTERIE CHARGÉE, MAINTIEN DE LA CHARGE UNIQUEMENT : si la batterie est suffisamment chargée, la LED n° 4 s'allume immédiatement, en même temps que la LED n° 1 (qui se met à clignoter).

LA BATTERIE A BESOIN D'ÊTRE CHARGÉE OU RÉCUPÉRÉE : si la batterie a besoin d'un supplément de charge, la LED n° 2 ou 3 s'allume en même temps que la LED n° 1 (qui se met à clignoter).

Lorsque le panneau solaire cesse de délivrer du courant (à la tombée de la nuit ou si le temps se couvre), le contrôleur OptiMate Solar bascule en mode SUIVI DE BATTERIE et continue à indiquer l'état de la batterie toutes les 3 secondes.

MODE DE CHARGE EN PLUSIEURS ÉTAPES : le contrôleur OptiMate Solar alterne automatiquement entre le mode courant d'impulsion et courant continu de façon à toujours délivrer la charge la plus rapide et la plus efficace.

Le procédé de délivrance de courant sélectionné est fonction :

- de l'état de la batterie (IMPULSION) : Le mode à impulsion est plus efficace pour récupérer une batterie.
- du courant délivré par le panneau solaire.
 - COURANT D'IMPULSION :** lorsque le courant est réduit (faible ensoleillement ou couverture nuageuse), des impulsions de courant de charge efficace sont délivrées. Ces impulsions, d'une intensité comprise entre 3 et 5 A, sont délivrées au minimum toutes les 2 secondes.

- b. COURANT CONTINU : lorsque le courant en provenance du panneau est suffisant, le contrôleur délivre un courant de charge continu en direction de la batterie, en mode CHARGE PRINCIPALE (LED n° 3).

NOTES :

- FR**
- Sélection de la taille de panneau solaire appropriée** : les panneaux solaires 12 V sont classés selon la puissance maximale qu'ils peuvent produire en cas d'exposition directe à la lumière du soleil, avec une charge fixe de 12 V. Néanmoins, cette puissance maximale n'est souvent que théorique ; le rendement peut devenir inférieur à 20 % si le contact avec les rayons du soleil est indirect (couverture nuageuse, par exemple).
Pour garantir une maintenance longue durée efficace de la batterie, optez pour un panneau qui délivrera une intensité de courant assez élevée pour aller au-delà de la consommation parasite du faisceau électrique du véhicule (comprenant l'alarme, l'horloge ou encore l'unité de commande du moteur) et revenir au niveau de charge de la veille. La consommation parasite est habituellement de 10-20 mA pour une moto/un engin de sport motorisé et 30–50 mA pour une voiture ou une camionnette équipés d'une batterie 12 V.
 - Optimisation du temps de récupération d'une batterie non entretenue** : utilisez un chargeur OptiMate 3, 4, 5 ou 6 qui se branche directement sur le secteur pour la récupération de la batterie. Rendez-vous sur www.optimatete1.com pour trouver le chargeur qui convient.
 - Test de la batterie** : choisissez un testeur OptiMate adéquat sur www.optimatete1.com.
 - Le chargeur OptiMate SOLAR assure le fonctionnement continu des batteries dont l'état initial est bon durant plusieurs mois. Tous les quinze jours minimum, vérifiez que les connexions entre le chargeur et la batterie sont toujours valides et, si celle-ci est munie d'un bouchon de remplissage pour chaque cellule, débranchez-la du chargeur, contrôlez le niveau d'électrolyte et, au besoin, remplissez les cellules (**d'eau distillée, PAS d'acide**) avant de la rebrancher. Respectez toujours les CONSIGNES DE SÉCURITÉ décrites dans ce manuel lorsque vous manipulez des batteries ou que vous vous trouvez à proximité.

GARANTIE LIMITÉE

TecMate International SA, Sint-Truidensesteenweg 252, B-3300 Tienen, Belgique, consent la présente garantie au premier client utilisateur de ce produit, sans possibilité de transfert. TecMate (International) garantit ce chargeur pendant trois ans à compter de la date d'achat au détail contre les défauts de composants ou d'assemblage. Le cas échéant, le chargeur sera réparé ou remplacé à la discrétion du fabricant. L'acheteur doit expédier, à ses frais, l'appareil ainsi qu'une preuve d'achat (voir "NOTE") au fabricant ou à son représentant agréé. Cette garantie limitée devient nulle si l'appareil est utilisé ou manipulé de façon inadéquate ou s'il a été réparé par toute personne physique ou morale autre que le fabricant ou un représentant agréé. Le fabricant n'offre aucune autre garantie que la présente, et exclut expressément toute garantie contre les dommages consécutifs.

CECI EST LA SEULE GARANTIE EXPRESSÉMENT CONSENTIE PAR LE FABRICANT. CELUI-CI N'ASSUME ET N'AUTORISE QUICUNQUE A ASSUMER OU ETABLIR TOUTE AUTRE OBLIGATION LIÉE À CE PRODUIT, AUTRE QUE CETTE GARANTIE LIMITÉE EXPRESSÉMENT CONSENTIE. VOS DROITES STATUTAIRES NE SONT PAS AFFECTÉES.

NOTE : Voir www.tecmate.com/warranty ou contactez warranty@tecmate.com

On peut trouver plus d'information sur les produits de TecMate chez www.tecmate.com.

NO UTILIZAR CON BATERÍAS DE NiCd, NiMH, Li-Ion O BATERÍAS NO RECARGABLES.

IMPORTANTE: LEA COMPLETAMENTE LAS SIGUIENTES INSTRUCCIONES ANTES DE UTILIZAR EL CARGADOR

Este aparato no está concebido para que lo utilicen personas (incluidos niños) con capacidades físicas, sensoriales o mentales disminuidas, o bien con falta de experiencia y conocimientos, a menos que una persona responsable de su seguridad las supervise o les dé instrucciones sobre el uso del aparato. Es necesario supervisar a los niños para asegurarse de que no juegan con el aparato.

AVISOS Y PRECAUCIONES DE SEGURIDAD: Las baterías emiten GASES EXPLOSIVOS, evite la posibilidad de llamas o chispas cerca de las baterías. Desconecte la corriente CA antes de realizar o deshacer conexiones de la batería CC. El ácido de la batería es altamente corrosivo. Utilice ropa y gafas de protección y evite el contacto con el ácido. En caso de contacto accidental, enjuague inmediatamente la zona afectada con agua y jabón. Compruebe que los polos de la batería no estén sueltos, y si lo están, lleve la batería a un servicio técnico. Si los bornes presentan corrosión, límpielos con un cepillo de hilo de cobre, y si presentan grasa o suciedad, límpielos con un trapo humedecido en detergente. Utilice el cargador solamente si los cables y conectores de entrada y salida se encuentran en buenas condiciones y sin daños. Si el cable de entrada está dañado, es fundamental que el fabricante, el servicio técnico autorizado o un taller capacitado lo sustituyan sin demora para evitar riesgos. Proteja el cargador del ácido y de las emisiones de gases de ácido y de ambientes húmedos o superficies mojadas durante su utilización y almacenamiento. La garantía no cubre daños derivados de la corrosión, oxidación o cortocircuitos eléctricos internos. Coloque el cargador a una distancia adecuada de la batería durante la recarga para evitar la contaminación o la exposición al ácido o vapores de ácido. Si se utiliza en posición horizontal, coloque el cargador en una superficie dura y plana, PERO NUNCA sobre plástico, tela o piel. Utilice los orificios de fijación de la base de la carcasa para fijar el cargador en una superficie cómoda y totalmente horizontal.

EXPOSICIÓN A LÍQUIDOS: Este cargador fue desarrollado para resistir a líquidos que hubieran sido derramados de forma accidental o a intemperies ligeras. No obstante, no se recomiendan las exposiciones prolongadas, que podrían menguar la duración de vida del cargador. Los desgastes, resultado de la oxidación debida al ataque eventual de líquidos en los componentes electrónicos, los conectadores o enchufes no se cubren por la garantía

CONEXIONES DE BATERÍA: Hay disponibles 2 juegos de conectores intercambiables, se suministra con el cargador un juego de pinzas de batería para recargarla fuera del vehículo, el juego de conexión opcional tiene unos orificios metálicos para conectarlos permanentemente a los bornes de la batería y una tapa impermeable resellable en el conector que conecta al cable de salida del cargador. Este tipo de conector permite una conexión fácil y segura al cargador sin tener que sacar la batería del vehículo. La tapa impermeable resellable está diseñada para proteger el conector de la suciedad y la humedad cuando el cargador no esté conectado. Pregunte a un técnico profesional antes de conectar el conector de orificios a los bornes de la batería. Asegure los tapones impermeables a los conectores para evitar que se enganchen con alguna pieza móvil del vehículo o estropeen o dañen algún cable con los bordes afilados. El fusible en línea del juego de conectores con orificios protege la batería frente a cortocircuitos accidentales entre los conductores positivo y negativo. Sustituya los fusibles quemados con un fusible nuevo similar de 15 A.

CONEXIÓN DEL CARGADOR A LA BATERÍA

1. Desconecte el suministro de CA antes de efectuar o deshacer las conexiones de CC / batería.
2. Si se va a cargar una batería montada en el vehículo con las pinzas, compruebe primero que las pinzas se pueden colocar de forma segura y correcta, lejos del cableado, los tubos metálicos o el bastidor, antes de efectuar las conexiones. Realice las conexiones en este orden: realice primero la conexión al terminal de la batería que no está conectado con el bastidor (normalmente positivo), luego conecte la otra pinza de batería (normalmente negativa) al bastidor a una distancia suficiente de la batería y de la tubería de combustible. Desconecte siempre realizando los pasos anteriores en orden inverso.
3. Cuando cargue una batería fuera del vehículo con las pinzas, colóquela en un lugar bien ventilado. Conecte el cargador a la batería: pinza ROJA con el terminal POSITIVO (POS, P o +) y pinza NEGRA con el terminal NEGATIVO (NEG, N o -). Asegúrese de que las conexiones son firmes y seguras. Es importante que hagan bien contacto.
4. Si la batería está excesivamente descargada (y posiblemente sulfatada), retirela del vehículo e inspecciónela antes de conectar el cargador para intentar recuperarla. Examine visualmente la batería en busca de desperfectos mecánicos, como combas o fisuras en la carcasa, o indicios de fugas de electrolito. Si la batería tiene tapones de llenado y se pueden ver desde fuera las placas del interior de las células, examine detenidamente la batería para comprobar si hay células que parezcan distintas de las demás (por ejemplo, con materia blanca entre las placas o placas en contacto). Si se han detectado desperfectos mecánicos, no intente cargar la batería, encargue su evaluación a personal cualificado.
5. Si la batería es nueva, lea atentamente las instrucciones de seguridad y uso del fabricante de la misma antes de conectar el cargador. En su caso, siga estrictamente las instrucciones de llenado de ácido.

ES

FUNCIONAMIENTO

LED INDICATIONS



CHARGER



12V

LED 1 – SOLAR

LED 2 – ROJO: descargado/RECUPERACIÓN

LED 3 – AMARILLO: requiere carga / CARGA

LED 4 – VERDE: batería lista / mantenimiento OptiMate 365

- A. MODO DE MONITOR DE BATERÍA (batería conectada sin placa solar, o bien placa solar con batería conectada, pero sin sol):** tres LED (números 2, 3 y 4) indican los cinco posibles niveles de carga de la batería. Los resultados que se obtienen antes de que comience la carga SOLAR por la mañana pueden considerarse los más precisos.

NOTAS: El nivel de carga de una batería es directamente proporcional a la tensión medida en todos los terminales. La precisión mejora cuando la batería se ha enfriado hasta la temperatura ambiente y no ha recibido más carga durante al menos 6 horas. La temperatura del entorno afecta a la tensión; el resultado empeora a medida que la temperatura desciende por debajo de los 15 °C / 60 °F. Las baterías de algunas marcas pueden tener parámetros de porcentaje de carga y tensión ligeramente distintos.

El LED correspondiente al estado de la batería parpadea cada 3 segundos. El LED verde («cargada») dispone de dos modos de indicación para los diversos tipos de baterías de plomo-ácido.

LED:	Tensión:	Batería STD/húmeda	AGM / alto rendimiento
N.º 4 verde (parpadeo doble)	≥12,7 V	≥100 %	≥91 %
N.º 4 verde (parpadeo simple)	12,5-12,7 V	90-100 %	61-90 %
N.º 3 amarillo	12,3-12,49 V	61-90 %	41-60 %
N.º 2 rojo y n.º 3 amarillo	12,1-12,29 V	40-59 %	20-40 %
N.º 2 rojo	<12,1 V	<40 %	<20 %

- B. MODO DE CARGA :** Placa solar conectada, batería desconectada: el LED solar se ilumina si la placa solar puede suministrar carga.

Placa solar Y batería conectadas: el LED n.º 1 parpadea cuando se está suministrando corriente de carga a la batería. La velocidad del parpadeo refleja la corriente suministrada: si es rápida, significa que la corriente es alta; si es lenta, significa que la corriente es baja (si hay nubes o la batería no está aceptando corrientes altas).

Los LED 2, 3 o 4 indican el progreso de la carga mientras el LED SOLAR n.º 1 parpadea.

LED ENCENDIDO:	MODO DE CARGA:	Descripción:
LED n.º 2 (ROJO)	RECUPERACIÓN	Se está ejecutando el modo SAVE (recuperación) de la batería: la batería está muy descargada o sulfatada, o bien la tensión en el momento de la conexión era inferior a 12,3 V. Duración máx.: 2 horas.
LED n.º 3 (AMARILLO)	CARGA Y OPTIMIZACIÓN	CARGA PRINCIPAL: corriente de carga máxima de hasta 14,4 V. OPTIMIZACIÓN: la carga final se suministra durante un mínimo de 10 minutos. La carga puede continuar si es necesario cargar más la batería. La intensidad del sol y el tamaño de la batería influyen en el tiempo de carga.
LED n.º 4 (VERDE)	MANTENIMIENTO	La batería se está sometiendo a un proceso de mantenimiento con una tensión máxima de hasta 13,6 V.

CICLO DE MANTENIMIENTO DIARIO: cuando la placa solar comienza a suministrar energía (por ejemplo, por la mañana, cuando sale el sol), el controlador OptiMate Solar evalúa el nivel de carga de la batería para elegir el modo de carga adecuado.

BATERÍA CARGADA, SOLO MANTENIMIENTO: si la batería tiene suficiente carga, el LED n.º 4 se ilumina inmediatamente junto con el LED n.º 1 (que parpadea).

LA BATERÍA REQUIERE CARGA, RECUPERACIÓN o CARGA: si es necesario seguir cargando la batería, se iluminan los LED n.º 2 o 3 junto con el LED n.º 1 (que parpadea).

Cuando la placa solar deja de suministrar energía (porque el sol se pone por la noche o está cubierto de nubes), el controlador OptiMate Solar pasa al modo de MONITOR DE BATERÍA y sigue indicando el estado de la batería cada 3 segundos.

MODO DE CARGA FORMADO POR VARIAS FASES: el controlador OptiMate Solar alterna automáticamente entre los modos de corriente continua y por impulsos para suministrar siempre la carga más rápida y eficiente. El método de suministro de corriente

seleccionado depende de los siguientes factores:

- 1) Estado de la batería – IMPULSOS: el modo de impulsos es más eficaz para recuperar baterías.
- 2) Energía suministrada por la placa solar:
 - a. IMPULSOS: cuando hay poca energía (poca intensidad del sol o nubes), se suministran impulsos de corriente de carga efectivos. Se pueden suministrar impulsos de corriente de 3-5 amperios cada 2 segundos como mínimo.
 - b. CONTINUA: cuando la energía recibida de la placa es suficiente, el controlador suministra una corriente de carga continua a la batería durante el modo de CARGA PRINCIPAL. (LED n.º 3).

NOTAS:

1. **Elección de un panel solar del tamaño correcto:** los paneles solares de 12 V se clasifican según la potencia máxima de salida que son capaces de suministrar cuando se encuentran bajo una luz solar directa y plena, hasta una carga fija de 12 V. Raramente se consigue la potencia máxima; la potencia de salida puede disminuir hasta en un 20 % bajo luz solar indirecta (p. ej., nubosidad).

Para conseguir un mantenimiento a largo plazo eficiente de la batería, elija un panel que suministre suficiente corriente como para soportar el consumo parasitario de la red eléctrica del vehículo (como alarmas, reloj, unidad de control del motor) y recuperar la carga que se ha perdido de un día para otro. Drenaje parasitario típico: 10-20 mA para motocicletas / vehículos deportivos motorizados y 30-50 mA para coches o camionetas equipadas con una batería de 12 V.

2. **Aceleración de la recuperación de una batería descuidada:** utilice un OptiMate 3, 4, 5 o 6 que se conecte directamente a un suministro de CA para recuperar la batería. Encuentre el cargador OptiMate apropiado en www.optimate1.com
3. **Prueba de batería:** encuentre el probador OptiMate apropiado en www.optimate1.com
4. OptiMate SOLAR conservará el buen estado de la batería durante meses. Al menos una vez cada dos semanas, compruebe que las conexiones entre el cargador y la batería son seguras y, en el caso de baterías con tapones de relleno en cada célula, desconecte la batería del cargador, compruebe el nivel del electrolito y, si fuera necesario, rellene las células (con agua destilada, NO con ácido); a continuación, reconéctela. Cuando esté manipulando baterías o se encuentre cerca de ellas, asegúrese siempre de seguir las ADVERTENCIAS DE SEGURIDAD incluidas en este manual.

GARANTÍA LIMITADA

TecMate (International) SA, Sint-Truidensesteenweg 252, B-3300 Tienen, Bélgica, establece esta garantía limitada en favor del primer propietario que utilice este aparato. Esta garantía limitada no es transferible. TecMate (International) garantiza este aparato durante los tres años siguientes a la fecha de compra por su primer usuario contra las fallos de materiales y de montaje. En este caso y a discreción del fabricante el aparato podrá ser reparado o reemplazado. La gestión y los costes relativos al transporte del aparato acompañado por una prueba de compra (véase "NOTA") al fabricante o a uno de sus representantes autorizados serán por cuenta del cliente. Esta garantía limitada se anula en caso de uso o tratamiento inadecuado, o de reparación hecha por toda persona o organización otra diferente al fabricante o uno de sus representantes autorizados. El fabricante no cumple con otra garantía que esta garantía limitada y expresamente excluye toda forma de garantía contra otros daños que los que sufra el aparato por sí mismo.

ESTO CONSTITUYE LA ÚNICA GARANTÍA LIMITADA VÁLIDA. EL FABRICANTE NO RECONOCE A QUIENQUIERA EL DERECHO DE EJERCER Ó DE TRANSMITIR NINGUN DERECHO RELATIVO AL PRODUCTO VENDIDO QUE SEA OTRO QUE EL QUE SE DERIVA DE ESTA GARANTÍA LIMITADA EXPRESA. LAS SUS DERECHAS ESTATUTARIAS NO SON AFECTADAS.

NOTA: Véase www.tecmate.com/warranty o contacte warranty@tecmate.com

Se puede encontrar más información sobre los productos de TecMate en www.tecmate.com.

NÃO UTILIZAR PARA BATERIAS NiCd, NiMH, Li-Ion OU BATERIAS NÃO RECARREGÁVEIS.

IMPORTANTE: LEIA AS SEGUINTE INSTRUÇÕES DE UTILIZAÇÃO ANTES DE UTILIZAR O CARREGADOR

Este dispositivo não se destina a ser utilizado por pessoas (incluindo crianças) com capacidades mentais, sensoriais ou físicas diminuídas, nem por pessoas com falta de experiência ou conhecimentos, a não ser que recebam supervisão ou instruções adequadas, dadas por uma pessoa responsável pela sua segurança, no que respeita ao seu uso. As crianças devem ser supervisionadas de modo a assegurar que não brinquem com o dispositivo.

AVISO DE SEGURANÇA e NOTAS: As baterias emitem GASES EXPLOSIVOS - evitar chamas ou faíscas perto de baterias. Desligue a alimentação de CA antes de efectuar ou remover ligações à CC/bateria. O ácido da bateria é altamente corrosivo. Usar vestuário de protecção, equipamento para os olhos e evitar o contacto. Em caso de contacto accidental, lavar imediatamente com água e sabão. Verifique se os terminais da bateria não estão soltos; se estiverem, peça a um profissional para avaliar a bateria. Se os terminais da bateria estiverem corroidos, limpe-os com uma escova de fio de cobre; se estiverem oleosos ou sujos, limpe-os com um trapo humedecido em detergente. Apenas utilize o carregador se os fios e os dispositivos de ligação de entrada e saída estiverem em boas condições e sem danos. Se o cabo de entrada estiver danificado, é essencial que este seja substituído sem demora pelo fabricante, o respectivo agente autorizado ou uma oficina qualificada, para evitar o perigo. Proteger o carregador de ácido, vapores ácidos, humidade e condições húmidas, tanto durante a utilização, como em armazenamento. Os danos resultantes da corrosão, da oxidação ou de um curto-circuito eléctrico interno não estão abrangidos na garantia. Distanciar o carregador da bateria durante o carregamento, para evitar contaminação por ou exposição a ácido ou vapores ácidos. Se for utilizado na horizontal, coloque o carregador numa superfície dura e plana, mas NÃO em cima de plástico, têxtil ou cabedal. Utilize os orifícios de fixação existentes na base do invólucro para fixar o carregador a qualquer superfície vertical conveniente e em boas condições.

EXPOSIÇÃO A LÍQUIDOS: Este carregador foi concebido para resistir à exposição a líquidos que possam cair accidentalmente sobre a caixa, ou aos chuviscos. Uma exposição prolongada aos líquidos ou à chuva é desaconselhada. Uma duração de vida superior resultará de tal precaução. Uma avaria ocasionada pela oxidação resultante da penetração de líquidos nos componentes electrónicos, nos conectores ou nas fichas não será coberta pela garantia.

LIGAÇÕES DA BATERIA: Fornecidos com o carregador, estão disponíveis 2 conjuntos de ligações intermutáveis. Um tem pinças de crocodilo para carregar a bateria fora do veículo, o outro tem um conjunto de ligação opcional com terminais em ilhó de metal para uma ligação permanente aos terminais da bateria e um tampão à prova de vento e chuva que pode voltar a ser selado, no conector que liga ao carregador. Este conjunto de ligações permite uma conexão fácil e segura do carregador para manter a bateria no veículo. O tampão à prova de vento e chuva que pode voltar a ser selado, foi concebido para proteger o conector de sujidade e humidade, sempre que o carregador não está acoplado. Consulte um agente técnico profissional para auxiliar na fixação dos ilhós de metal aos terminais da bateria. Prenda o conector com tampão à prova de vento e chuva, de modo a não ser possível sujar qualquer peça móvel do veículo ou o cabo possa ser comprimido ou danificado por arestas cortantes. O fusível em linha no conjunto de ligação de ilhós protege a bateria contra tais curtos-circuitos accidentais nos condutores positivo e negativo. Substitua um fusível queimado apenas com um novo fusível semelhante de valor nominal 15A.

LIGAÇÃO DO CARREGADOR À BATERIA

1. Desligue a fonte de alimentação CA antes de estabelecer ou desligar as ligações CC à bateria.
2. Antes de estabelecer as ligações, se estiver a carregar a bateria no interior do veículo utilizando os terminais de cabo para bateria, verifique primeiro que estes podem ser posicionados e fixados de forma segura, afastados de cablagens, tubagens metálicas e do chassis. Estabeleça as ligações pela ordem seguinte: Ligue primeiro ao terminal da bateria não ligado ao chassis (normalmente o terminal positivo). De seguida, ligue o outro terminal de cabo para bateria (normalmente negativo) ao chassis, num local bem afastado da bateria e da linha de combustível. Desligue sempre pela ordem inversa.
3. Ao carregar a bateria no exterior do veículo com os terminais de cabo para bateria, coloque-a num local bem ventilado. Ligue o carregador à bateria: VERMELHO ligue ao terminal POSITIVO (POS, P ou +) e PRETO ligue ao terminal NEGATIVO (NEG, N or -). Assegure-se de que as ligações estão firmes e seguras. Um bom contacto é essencial.
4. Caso a bateria esteja muito descarregada (e possivelmente sulfatada), remova do veículo e inspecione antes de ligar ao carregador para a tentativa de recuperação. Verifique visualmente a bateria relativamente a defeitos mecânicos tais como bojamento ou fendas, ou sinais de derrames de electrolito. Caso a bateria tenha tampas para enchimento e as placas dentro das células possam ser vistas a partir do exterior, examine cuidadosamente a bateria para determinar se alguma das células parece estar diferente das outras (por exemplo, depósitos brancos entre as placas, placas a tocarem-se). Se verificar que existem

defeitos mecânicos, não tente carregar a bateria: leve-a para ser avaliada por um profissional.

5. Se a bateria é nova, leia cuidadosamente as instruções de segurança e de operação do fabricante antes de ligar o carregador. Caso aplicável, siga cuidadosa e exactamente as instruções de enchimento com ácido.

FUNCIONAMENTO ;

LED INDICATIONS



CHARGER



12V

LED 1 – SOLAR

LED 2 – VERMELHO – Descarregado / RECUPERAÇÃO

LED 3 – AMARELO – Necessita de carregamento / CARREGAMENTO

LED 4 – VERDE – Bateria pronta / Manutenção 365 OptiMate

- A. MODO DE MONITORIZAÇÃO DA BATERIA - Bateria ligada sem painel solar OU painel solar e bateria ligados, mas ausência de sol: Três LEDs (N.º 2, 3, 4) indicam os 5 níveis de carga da bateria possíveis. Os resultados antes de o carregamento SOLAR começar de manhã podem ser considerados mais exatos.

NOTAS: O nível de carga de uma bateria é diretamente proporcional à tensão medida através dos terminais. A exactidão melhora assim que a bateria arrefecer até à temperatura ambiente e não receber mais carga durante, pelo menos, 6 horas ou mais. A temperatura ambiente afeta a tensão e os resultados serão piores à medida que a temperatura baixar para temperaturas inferiores a 15 °C / 60 °F. Algumas marcas de bateria poderão ter parâmetros de tensão e de % de carga ligeiramente diferentes.

O LED correspondente à condição da bateria pisca a cada 3 segundos. O LED verde "carga completa" tem dois modos de indicação para diferentes tipos de baterias de chumbo-ácido.

LED:	Tensão:	STD / Bateria de eletrólito líquido	AGM / elevado desempenho
N.º 4 Verde (intermitência dupla)	12,7 V+	100%+	91% ou mais
N.º 4 Verde (intermitência única)	12,5 – 12,7 V	90 - 100%	61 – 90%
N.º 3 amarelo	12,3 – 12,49 V	61 - 90%	41 – 60%
N.º 2 vermelho e n.º 3 amarelo	12,1 – 12,29 V	40 – 59%	20 – 40%
N.º 2 vermelho	Menos de 12,1 V	Menos de 40%	Menos de 20%

- B. MODO DE CARREGAMENTO - Painel solar ligado, sem bateria ligada: O LED Solar acende-se se o painel solar conseguir carregar a bateria.

Painel solar E bateria ligados: O LED n.º 1 pisca quando é fornecida corrente de carga à bateria. A velocidade a que os LEDs piscam corresponde à corrente fornecida, ou seja, quando piscam depressa, é fornecida alta corrente, quando piscam lentamente, é fornecida baixa corrente (condições de nebulosidade ou a bateria não aceita a alta corrente).

Os LED 2, 3 ou 4 indicam que o carregamento está em curso enquanto o LED n.º 1 SOLAR está intermitente.

LED ACESO:	MODO DE CARREGAMENTO:	DESCRIÇÃO:
LED N.º 2 (VERMELHO)	RECUPERAÇÃO	Modo de recuperação da bateria em curso - a bateria está fortemente descarregada / sulfatada ou a tensão no ponto de ligação é inferior a 12,3 V. Tempo máx.: 2 horas
LED N.º 3 (AMARELO)	CARREGAMENTO E OTIMIZAÇÃO	CARREGAMENTO BRUTO - corrente máxima de carregamento até 14,4 V) OTIMIZAÇÃO - a carga final é fornecida durante, pelo menos, 10 minutos. O carregamento poderá continuar, caso a bateria necessite de mais carga. O tempo de carregamento é afetado pela intensidade do sol e pelo tamanho da bateria.
LED N.º 4 (VERDE)	MANUTENÇÃO	A bateria é objeto de manutenção até uma tensão máxima de 13,6 V.

CICLO DE MANUTENÇÃO DIÁRIO: Quando o painel solar começa a fornecer energia (p. ex., de manhã, quando o sol nasce), o controlador do OptiMate Solar avalia o nível de carga da bateria para determinar o modo de carregamento adequado.

BATERIA CARREGADA, APENAS EFETUAR MANUTENÇÃO: Se a bateria tiver carga suficiente, o LED n.º 4 acender-se-á imediatamente juntamente com o LED n.º 1 (intermitente).

A BATERIA PRECISA DE CARGA, RECUPERAÇÃO ou CARREGAMENTO: Se a bateria necessitar de mais carga, o LED n.º 2 ou 3 acender-se-á juntamente com o LED n.º 1 (intermitente).

Quando o painel solar para de fornecer energia (o sol pôs-se à noite ou as nuvens cobrem o sol), o controlador do OptiMate Solar muda para o modo MONITOR DE BATERIA e continuará a indicar a condição da bateria a cada 3 segundos.

MODO DE CARREGAMENTO DE VÁRIOS PASSOS: O controlador do OptiMate Solar alterna automaticamente entre o modo de corrente de impulsos e continua para fornecer sempre a carga mais eficiente e rápida. O método selecionado de entrega de corrente depende de

- 1) Condição da bateria - IMPULSO: O modo de impulsos é mais eficiente para recuperar uma bateria.
- 2) Energia fornecida pelo painel solar –
 - a. IMPULSOS: quando a energia é reduzida (sol fraco / nebulosidade), são fornecidos impulsos de corrente de carga efetiva. Podem ser fornecidos impulsos de corrente de 3 – 5 Amps, no mínimo, a cada 2 segundos.
 - b. CONTÍNUA: quando a energia recebida do painel é suficiente, o controlador fornece uma carga de corrente contínua à bateria durante o modo de CARREGAMENTO BRUTO (LED n.º 3).

NOTAS:

1. **Escolher o tamanho certo de painel solar:** Os painéis solares de 12V são classificados de acordo com a potência máxima que conseguem fornecer para uma carga fixa de 12V sob luz solar direta e total. A potência máxima raramente é atingida; a potência pode baixar mais de 20% em caso de luz solar indireta (p.ex. cobertura de nuvens).

Para uma manutenção eficaz da bateria a longo prazo, escolha um painel que forneça corrente suficiente para compensar o consumo parasita dos circuitos do veículo (tais como alarme, relógio, unidade de controlo do motor) e repor a carga perdida durante a noite. Drenagem parasita típica: 10-20mA para um motociclo/veículo desportivo e 30-50mA para um automóvel ou uma carrinha de caixa aberta equipada com uma bateria de 12V.

2. **Acelerar a recuperação de uma bateria negligenciada** – Utilize um OptiMate 3, 4, 5 ou 6 que seja ligado diretamente à energia elétrica de CA para recuperar a bateria. Encontre o carregador OptiMate apropriado em www.optimate1.com
3. **Testar uma bateria** – Encontre o dispositivo de teste OptiMate apropriado em www.optimate1.com
4. O OptiMate SOLAR mantém uma bateria, cuja condição básica seja boa, durante vários meses seguidos. Pelo menos uma vez em cada duas semanas, verifique se as ligações entre o carregador e a bateria estão seguras, e, no caso das baterias com tampas de enchimento em cada célula, desligue a bateria do carregador, verifique o nível do eletrólito e, se necessário, encha as células (com água destilada, NÃO com ácido) e, em seguida, volte a ligá-la. Quando estiver a manusear baterias ou se encontrar na sua proximidade, tenha sempre o cuidado de observar os AVISOS DE SEGURANÇA deste manual.

GARANTIA LIMITADA

TecMate (International) NV, Sint-Truidensesteenweg 252, B-3300, Belgium, consente a presente garantia ao primeiro utilizador deste produto, sem possibilidade de transferibilidade. TecMate (International) NV garante este carregador durante três anos a partir da data de compra ao retalhista, contra os defeitos dos componentes ou de montagem. Se for o caso, o carregador será reparado ou substituído à discrição do fabricante. O comprador deve enviar por sua própria conta, o aparelho assim como uma prova de compra (veja "NOTA"), ao fabricante ou ao seu representante. Esta garantia limitada, torna-se nula se o aparelho for utilizado ou manipulado de forma inadequada ou se tiver sido reparado por toda outra pessoa física ou moral que o fabricante ou o seu representante. O fabricante não oferece nenhuma outra garantia que a presente, e exclui expressamente toda garantia contra danos consequenciais.

ESTA É A ÚNICA GARANTIA EXPRESSAMENTE CONSENTIDA PELO FABRICANTE. ESTE NÃO ASSUME E NÃO AUTORIZA QUEM QUER QUE SEJA A ASSUMIR OU ESTABELEÇER TODA OUTRA OBRIGAÇÃO LIGADA A ESTE PRODUTO, OUTRA QUE ESTA GARANTIA LIMITADA EXPRESSAMENTE CONSENTIDA. SUAS DIREITAS ESTATUTÁRIAS NÃO SÃO AFETADAS.

NOTA: Veja www.tecmate.com/warranty o contatem warranty@tecmate.com

Pode-se encontrar mais informação sobre os produtos de TecMate em www.tecmate.com.

NICHT VERWENDEN FÜR NiCd, NiMH, Li-Ion ODER NICHT AUFLADBARE BATTERIEN.

WICHTIG: LESEN SIE VOR GEBRAUCH DES LADEGERÄTS DIE FOLGENDEN ANWEISUNGEN VOLLSTÄNDIG

Dieses Gerät ist nicht dafür vorgesehen, von Personen (einschließlich Kindern) verwendet zu werden, die über beschränkte körperliche, sensorische und mentale Fähigkeiten oder mangelnder Erfahrung bzw. unzureichendem Wissen verfügen, sofern diese nicht durch eine für die Sicherheit verantwortliche Person zur korrekten Verwendung des Geräts eingewiesen wurden oder das Gerät ohne Aufsicht bedienen. Kinder, die sich in der Nähe des Geräts befinden, sollten beaufsichtigt werden, um sicherzustellen, dass diese nicht mit dem Gerät spielen.

SICHERHEITSWARNUNG und HINWEISE: Batterien sondern **EXPLOSIVE GASE** ab - halten Sie **Flammen oder Funken von Batterien fern**. Klemmen Sie die Wechselstromversorgung ab, bevor Sie Gleichstrom-/Batterieverbindungen herstellen oder unterbrechen. Batteriesäure ist stark ätzend. Schutzkleidung und Schutzbrille tragen und Kontakt vermeiden. Bei versehentlicher Berührung sofort mit Wasser und Seife waschen. Prüfen, ob die Batteriepole lose sind, wenn ja, die Batterie von einem Fachmann überprüfen lassen. Korrodierte Batteriepole mit einer Kupferdrahtbürste reinigen; verschmutzte oder fettige Pole mit einem in Reinigungsmittel befeuchteten Tuch reinigen. Ladegerät nur benutzen, wenn die Zuleitungen und Batterieklemmen in einwandfreiem, unbeschädigten Zustand sind. Wenn das Eingangskabel beschädigt ist, muss es unverzüglich vom Hersteller, seinem ermächtigten Serviceagenten oder einer qualifizierten Werkstatt ersetzt werden, um Gefahren zu vermeiden. Schützen Sie Ihr Ladegerät bei Benutzung und Lagerung vor Säure und Säuredämpfen, sowie vor Feuchtigkeit. Schäden durch Korrosion, Oxidation oder interne Kurzschlüsse sind nicht durch die Garantie abgedeckt. Stellen Sie das Ladegerät während des Ladevorgangs von der Batterie entfernt auf, um Kontaminierung oder Beschädigung durch Säure oder Säuredämpfe zu vermeiden. Bei Verwendung in horizontaler Ausrichtung muss das Ladegerät auf eine feste, ebene Fläche gestellt werden, jedoch **NICHT** auf Kunststoff, Textilien oder Leder. Bringen Sie mittels der Befestigungsöffnungen im Gehäuseboden das Ladegerät an einer geeigneten, stabilen senkrechten Fläche an.

AUSGESETZTSEIN ZU DEN FLÜSSIGKEITEN: Dieses Ladegerät ist konstruiert, um Ausgesetztsein zu den Flüssigkeiten, die versehentlich auf das Gehäuse von oben verschüttet werden oder gespritzt sind, oder zu Nieselregen, zu widerstehen. Jedoch ist verlängertes Ausgesetztsein nicht ratsam und längere Lebensdauer wird erreicht, indem man solches Ausgesetztsein minimiert. Ausfall des Gerätes wegen der Oxidation, die aus dem etwaigen Durchgriff der Flüssigkeit in die elektronischen Bauelemente, Verbindungsstücke oder Stecker resultiert, wird nicht durch die Garantie abgedeckt.

BATTERIEANSCHLÜSSE: 2 austauschbare Anschluss-Sets sind erhältlich, mit dem Ladegerät geliefert wird ein Satz Batterieklemmen, um die Batterie außerhalb des Fahrzeugs zu laden, das optionale Anschluss-Set ist mit Metallösen zum permanenten Anschließen an die Batteriepole versehen sowie mit Schutzkappen am Stecker zum Anschließen des Ausgangskabels des Ladegeräts. Dieses Anschluss-Set erlaubt das problemlose und sichere Anschließen des Ladegeräts, wenn die Batterie im Fahrzeug bleiben soll. Die abnehmbare Schutzkappe schützt den Anschluss vor Schmutz und Feuchtigkeit, wenn das Ladegerät nicht angeschlossen ist. Wenden Sie sich an einen Fachmann, um die Metallösen an den Batteriepolen befestigen zu lassen. Sichern Sie den Anschluss mit der Schutzkappe, sodass er nicht in bewegende Teile des Fahrzeugs gerät und das Kabel nicht eingeklemmt oder durch scharfe Kanten beschädigt werden kann. Die Leitungssicherung im Ösenanschluss schützt die Batterie vor Kurzschlüssen zwischen Plus- und Minusleiter. Ersetzen Sie durchgebrannte Sicherungen nur durch gleiche neue 15A-Sicherungen.

ANSCHLUSS DES LADEGERÄTS AN DIE BATTERIE

1. Die AC-Stromversorgung muss unterbrochen werden, bevor Sie das Ladegerät an DC/die Batterie anschließen bzw. die Verbindung trennen.
2. Wenn Sie die Batterie im Fahrzeug belassen und mithilfe der Batterieklemmen aufladen möchten, müssen Sie zunächst sicherstellen, dass die Klemmen sicher in einem Abstand zu den Kabeln, Metallrohren oder dem Fahrgestell positioniert werden können. Befolgen Sie beim Anschluss die nachstehende Reihenfolge: Schließen Sie zunächst eine Klemme an den Batterieanschluss, der nicht mit dem Fahrgestell verbunden ist (in der Regel der Pluspol) an. Schließen Sie anschließend die andere Klemme (in der Regel der Minuspol) an das Fahrgestell, in einem weiten Abstand zur Batterie und Benzinleitung, an. Beim Abklemmen ist die entgegengesetzte Reihenfolgen einzuhalten.
3. Wenn Sie die Batterie außerhalb des Fahrzeuges über die Batterieklemmen aufladen, müssen Sie für eine ausreichende Belüftung sorgen. Schließen Sie das Ladegerät an die Batterie an: **ROTE** Klemme an **PLUSPOL** (POS, P oder +) und **SCHWARZE** Klemme an **Minuspol** (NEG, N oder -). Stellen Sie sicher, dass die Klemmen fest sitzen. Ein guter Kontakt ist wichtig.
4. **Eine tiefentladene (und möglicherweise sulfatierte) Batterie ist vor einem Wiederbelebungsversuch auszubauen und zu überprüfen.** Überprüfen Sie die Batterie auf mechanische Defekte wie Ausbeulungen oder Risse im Gehäuse oder auf ein Auslaufen der Säure. Wenn die Batterie über Einfüllverschlüsse verfügt und die Platten zwischen den Zellen von außen erkennbar sind, müssen Sie sicherstellen, dass alle Zellen gleich aussehen (beispielsweise das weiße Material zwischen den Platten, der Abstand der Platten usw.).

Laden Sie die Batterie nicht auf, wenn mechanische Defekte erkennbar sind. Lassen Sie die Batterie in diesem Fall von einem Fachmann untersuchen.

5. Wenn es sich um eine neue Batterie handelt, lesen Sie vor dem Anschluss des Ladegeräts die Sicherheitshinweise und Betriebsanweisungen des Herstellers genau durch. Befolgen Sie gegebenenfalls die Anweisungen zum Auffüllen der Säure genau.

BETRIEB:

LED INDICATIONS



CHARGER



1

2

3

4



12V

LED 1 – SOLAR

LED 2 – ROT – Entladen/RETEN

LED 3 – GELB – Laden erforderlich/LADEN

LED 4 – GRÜN – Batterie betriebsbereit/OptiMate 365 Pflege

- A. BATTERIEÜBERWACHUNGSMODUS - Batterie angeschlossen ohne Solar-Panel ODER Solar-Panel und Batterie angeschlossen aber keine Sonne:** Drei LEDs (Nr. 2, 3, 4) zeigen 5 mögliche Batterieladestände an. Ergebnisse, bevor die SOLAR-Ladung morgens beginnt, können als genaueste betrachtet werden.

HINWEISE: Der Ladezustand einer Batterie ist direkt proportional zu der an den Polen gemessenen Spannung. Die Genauigkeit erhöht sich, sobald die Batterie auf Raumtemperatur abgekühlt ist und für mindestens 6 Stunden keine weitere Ladung erhalten hat. Die Umgebungstemperatur hat Einfluss auf die Spannung. Das Ergebnis wird schlechter, wenn die Temperatur unter 15°C/60°F sinkt. Batterien bestimmter Marken können leicht abweichende Spannungs- und Ladezustandsparameter aufweisen.

Die LED, die dem Batteriezustand entspricht, blinkt alle 3 Sekunden. Die grüne LED „geladen“ hat zwei Anzeigemodi für verschiedene Arten von Bleiakkus.

LED:	Spannung:	STD-/Nassbatterie	AGM-/Hochleistungsbatterie
Nr. 4 grün (doppeltes Blinken)	12,7V+	100%+	91% oder mehr
Nr. 4 grün (einfaches Blinken)	12,5 – 12,7V	90 - 100%	61 – 90%
Nr. 3 gelb	12,3 – 12,49V	61 - 90%	41 – 60%
Nr. 2 rot & Nr. 3 gelb	12,1 – 12,29V	40 – 59%	20 – 40%
Nr. 2 rot	Unter 12,1V	Weniger als 40%	Weniger als 20%

- B. LADEMODUS - Solar-Panel angeschlossen, keine Batterie angeschlossen:** Solar-LED leuchtet, wenn das Solar-Panel in der Lage ist, die Batterie zu laden.

Solar-Panel UND Batterie angeschlossen: LED Nr. 1 blinkt, wenn die Batterie mit Ladestrom versorgt wird. Die Blinkgeschwindigkeit entspricht dem bereitgestellten Strom, d.h., schnelles Blinken bedeutet hohen Strom, langsames Blinken bedeutet niedrigen Strom (wolkiger Himmel oder Batterie nimmt hohen Strom nicht auf).

LED 2, 3 oder 4 zeigen den Fortschritt des Ladevorgangs an, während SOLAR-LED Nr. 1 blinkt.

LED AN:	LADEMODUS:	BESCHREIBUNG:
LED Nr. 2 (ROT)	RETEN	Batterierettungsmodus ist aktiv - Batterie ist tiefentladen/sulfatiert oder Spannung beim Anschließen lag unter 12,3 V. Max. Zeit: 2 Stunden
LED NR. 3 (GELB)	LADEN & OPTIMIEREN	HAUPTLADUNG - maximaler Ladestrom bis 14,4 V) OPTIMIEREN - endgültige Ladung wird für mindestens 10 Minuten bereitgestellt. Der Ladevorgang kann fortgesetzt werden, wenn die Batterie weiteres Laden erfordert. Die Ladedauer wird durch die Intensität der Sonneneinstrahlung und die Größe der Batterie beeinflusst.
LED NR. 4 (GRÜN)	WARTUNG	Die Batterie wird bis zu einer maximalen Spannung von 13,6 V gewartet.

TÄGLICHER WARTUNGSZYKLUS: Sobald das Solar-Panel Strom bereitstellt (zum Beispiel morgens nach Sonnenaufgang), bewertet die Steuerung des OptiMate Solar der Ladezustand der Batterie, um über den geeigneten Lademodus zu entscheiden.

BATTERIE GELADEN, NUR WARTUNG: Wenn die Batterie ausreichend geladen ist, leuchtet LED Nr. 4 sofort zusammen mit LED Nr. 1 (blinkt) auf.

BATTERIE ERFORDERT LADUNG, RETTEN oder LADEN: Wenn die Batterie weitere Ladung benötigt, leuchtet LED Nr. 2 oder 3 zusammen mit LED Nr. 1 (blinkt) auf.

Wenn das Solar-Panel keinen Strom mehr bereitstellt (Sonne ist untergegangen oder wird von Wolken verdunkelt), wechselt die Steuerung des OptiMate Solar in den BATTERIEÜBERWACHUNGSMODUS und zeigt den Batteriezustand weiter alle 3 Sekunden an.

MEHRSTUFIGER LADEMODUS Die Steuerung des OptiMate Solar wechselt automatisch zwischen Impuls- und Dauerstrommodus, um immer für die effizienteste und schnellste Ladung zu sorgen. Die gewählte Methode der Strombereitstellung hängt ab von

- 1) Zustand der Batterie – **IMPULS:** Der Impulsmodus ist beim Retten einer Batterie effektiver.
- 2) Leistung des Solar-Panels –
 - a. **IMPULS:** Bei geringer Leistung (schwache Sonne/bewölkt) wird der effektive Ladestrom impulsartig bereitgestellt. Stromimpulse mit 3 – 5 Ampere können mindestens alle 2 Sekunden bereitgestellt werden.
 - b. **DAUERSTROM:** Wenn die Stromversorgung durch das Solar-Panel ausreicht, versorgt die Steuerung die Batterie im HAUPTLADUNGSMODUS mit Dauerstrom (LED Nr. 3).

HINWEISE:

1. **Auswahl der richtigen Solar-Panel-Größe:** 12V Solar-Panels werden entsprechend der maximalen Leistung eingestuft, die sie bei direktem, vollen Sonnenlicht für einen festen 12V-Verbraucher bereitstellen können. Maximale Leistung wird selten erreicht und die Leistung kann bei indirektem Sonnenlicht (z.B. Bewölkung) unter 20% fallen.

Wählen Sie für die effektive Langzeit-Wartung einer Batterie ein Panel, das genügend Strom liefert, um die parasitäre Stromentnahme des Fahrzeugstromkreises /etwa Alarmanlage, Uhr, Motorsteuergerät) zu überwinden und die über Nacht verlorene Ladung zurückzugeben. Typische parasitäre Stromentnahme: 10-20mA bei einem Motorrad/Motorsportfahrzeug und 30-50mA bei einem Pkw oder Pickup mit einer 12V-Batterie.
2. **Beschleunigen der Rettung einer vernachlässigten Batterie** – Verwenden Sie ein OptiMate 3, 4, 5 oder 6, das direkt mit Wechselstrom verbunden wird, um die Batterie zu retten. Das geeignete OptiMate Ladegerät finden Sie auf www.optimate1.com
3. **Testen einer Batterie** – Das geeignete OptiMate Testgerät finden Sie auf www.optimate1.com
4. **OptiMate SOLAR wartet Batterien mit gutem Grundzustand monatlang.** Überprüfen Sie mindestens einmal alle zwei Wochen, ob die Verbindungen zwischen Ladegerät und Batterie sicher sind, trennen Sie bei Batterien mit Verschlussdeckeln auf jeder Zelle die Batterie vom Ladegerät, prüfen Sie den Elektrolytstand, füllen Sie bei Bedarf die Zellen auf (mit destilliertem Wasser, NICHT mit Säure) und schließen Sie dann die Batterie wieder an. Beachten Sie beim Umgang mit Batterien oder in ihrer Nähe grundsätzlich die SICHERHEITSHINWEISE in diesem Handbuch.

DE

BEGRENZTE GARANTIE

TecMate (International) N.V., Sint-Truidensesteenweg 252, B-3300 Tienen, Belgien, gewährt dem ursprünglichen Käufer beim Kauf dieses Produktes diese begrenzte Garantie. Diese begrenzte Garantie ist nicht übertragbar. TecMate (International) übernimmt für drei Jahre ab Verkaufsdatum die Garantie für dieses Batterieladegerät hinsichtlich Material- oder Verarbeitungsfehlern. Sollten solche Fehler auftreten, wird das Gerät nach Ermeßen des Herstellers repariert oder ersetzt. Es ist Sache des Käufers, das Gerät zusammen mit dem Kaufnachweis (siehe "BEACHTUNG") an den Hersteller oder seinen ermächtigten Vertreter einzuschicken, wobei der Käufer die Transport- oder Portokosten trägt. Diese begrenzte Garantie ist nichtig, wenn das Produkt mißbräuchlich verwendet, unsachgemäß behandelt oder nicht vom Werk oder einem ermächtigten Vertreter repariert wurde. Der Hersteller gewährt außer dieser begrenzten Garantie keinerlei Garantie und schließt ausdrücklich jede implizite Gewährleistung, einschließlich jeglicher Garantie gegen Folgeschäden aus.

DIES IST DIE EINZIGE AUSDRÜCKLICHE BEGRENZTE GARANTIE, UND DER HERSTELLER ÜBERNIMMT KEINERLEI VERPFLICHTUNG GEGENÜBER DEM PRODUKT. IHRE GESETZLICHEN RECHTE SIND NICHT BETROFFEN.

BEACHTUNG: Siehe www.tecmate.com/warranty oder kontaktieren Sie warranty@tecmate.com

Mehr Informationen über TecMate Produkten können bei www.tecmate.com gefunden werden.

NIET GEBRUIKEN VOOR NiCd, NiMH, Li-Ion OF NIET-OPLAADBARE DROGE CELBATTERIJEN.

BELANGRIJK: LEES DE ONDERSTAANDE INSTRUCTIES ALVORENS DE LADER TE GEBRUIKEN

Dit apparaat is niet bedoeld voor gebruik door personen (ook kinderen) met fysische, zintuigelijke of mentale beperkingen, of gebrek aan ervaring of kennis, tenzij onder toezicht of met begeleiding betreffende het gebruik van het apparaat door een persoon die instaat voor hun veiligheid. Men dient erop toe te zien dat kinderen niet spelen met het apparaat.

VEILIGHEIDSWAARSCHUWING EN OPMERKINGEN: Accu's geven **EXPLOSIEVE GASSEN** vrij - voorkom vlammen of vonken in de buurt van accu's.

Ontkoppel de wisselstroomvoeding alvorens de verbinding tussen de accu en de gelijkstroom te maken of te verbreken. Accu's zijn uiterst corrosief. Draag beschermende kledij en oogbescherming en vermijd contact. In geval van contact, onmiddellijk wassen met zeep en water. Controleer of de accu goed stevig in elkaar zit, laat de accu anders door een professional nakijken. Indien de accu gecorrodeerd is, moet u dit schoonmaken met een koperen borstel; vet of vuil verwijdert u met een licht vochtige vof die in detergent werd gedrenkt. Gebruik de lader alleen wanneer de leidingen en koppelstukken in goede en onbeschadigde toestand verkeren. Indien de voedingskabel beschadigd is, moet u deze onmiddellijk door de fabrikant, diens gemachtigde vertegenwoordiger of een erkend atelier laten vervangen om gevaar te vermijden. Bescherm uw lader tegen zuren en zure dampen en tegen vochtige omstandigheden tijdens gebruik en opslag. Schade als gevolg van corrosie, oxidatie of interne kortsluiting wordt niet gedekt door de garantie. Zet de lader tijdens het laden weg van de accu om contaminatie te vermijden of blootstelling aan zuren of zure dampen. Indien de lader horizontaal wordt gebruikt, moet u hem op een hard en effen oppervlak plaatsen maar NIET op plastic, textiel of leer. Gebruik de bevestigingsgaten in de behuizing om de lader te bevestigen op een geschikt en stevig verticaal oppervlak.

BLOOTSTELLING AAN VLOEISTOFFEN: De lader is ontworpen om oppervlakkige blootstelling aan van bovenaf per ongeluk gemorste vloeistoffen of lichte regenval te kunnen weerstaan. Het is niet aangeraden om de lader langere tijd hieraan bloot te stellen. De lader beschikt over een langere levensduur indien u deze blootstelling tot een minimum kan beperken. Het falen van de lader door oxidatie, als gevolg van mogelijke penetratie door vloeistoffen in de elektronische componenten, verbindingstukken of stekker is niet gedekt door de garantie.

AANSLUITING VAN DE ACCU: Er worden 2 onderling vervangbare aansluitsets geleverd, één heeft krokodilklemmen voor het laden van de accu buiten het voertuig, de andere heeft metalen klepjes met ogen voor permanente aansluiting op de accu en een afsluitbare waterdichte kap op de connector die verbonden wordt met de lader. Dankzij deze set kunt u de lader gemakkelijk en veilig aansluiten om de accu op het voertuig te houden. De herbruikbare waterdichte kap is bedoeld om de connector te beschermen tegen vuil en vocht wanneer de lader niet is aangesloten. Raadpleeg een professionele onderhoudstechnicus voor hulp bij het bevestigen van de metalen oogjes. Zet de connector vast met de waterdichte kap zodat hij geen bewegende delen van het voertuig kan belemmeren en dat de kabel niet geklemd kan raken of beschadigd wordt door scherpe randen. De zekering in de verbindingssset beschermt de accu tegen toevallige kortsluiting doorheen positieve en negatieve geleiders. Vervang gesmolten zekeringen enkel door een gelijkwaardige nieuwe zekering van 15A.

DE LADER AANSLUITEN OP DE ACCU

1. De stekker van de lader mag niet in het stopcontact zitten, wanneer gelijkstroom-/accuverbindingen gemaakt of verbroken worden.
2. Indien u een accu in een voertuig met accuklemmen gaat opladen, dient u, voordat u de lader aansluit, te controleren of de accuklemmen veilig en op voldoende afstand van de omringende bedrading, metalen buizen en het chassis geplaatst kunnen worden. Sluit de lader aan in deze volgorde: Sluit eerst de pool van de accu aan die niet verbonden is met het chassis (meestal positief), sluit daarna de andere accuklem aan (meestal negatief) op het chassis op ruime afstand van de accu en de brandstofleiding. Ontkoppel de lader in omgekeerde volgorde.
3. Plaats de accu in een goed geventileerde ruimte wanneer u een accu met accuklemmen buiten het voertuig gaat opladen. De lader aansluiten op de accu: RODE klem op de POSITIEVE (POS, P of +) pool en ZWARTE klem op de NEGATIEVE (NEG, N of -) pool. Zorg dat de klemmen stevig en veilig zijn bevestigd. Een goed contact is belangrijk.
4. Als de accu zwaar ontladen (en mogelijk gesulfateerd) is, dient de accu uit het voertuig verwijderd en gecontroleerd te worden

voordat er een poging ondernomen wordt om de accu te herstellen. Controleer de accu visueel op mechanische defecten zoals vormverwijding, gescheurde behuizing of tekenen van elektrolytlekkage. Als de accu vuldoppen heeft en de platen in de cellen vanaf de buitenzijde zichtbaar zijn, kunt u voorzichtig proberen vast te stellen of bepaalde cellen afwijken van andere (bijvoorbeeld wit materiaal tussen de platen, platen die elkaar raken). Probeer de accu niet op te laden wanneer u mechanische defecten hebt vastgesteld, maar laat de accu nakijken door een vakman.

5. Lees de veiligheidsinstructies en de gebruiksaanwijzing van de fabrikant zorgvuldig door voordat u de lader aansluit op een nieuwe accu. Volg, indien van toepassing, de instructies betreffende het vullen van zuur zorgvuldig en nauwkeurig op.

WERKING:

LED INDICATIONS



CHARGER



12V

LED 1 – ZONNE-ENERGIE

LED 2 – ROOD – Ontladen / RECUPERATIE

LED 3 – GEEL – Moet worden opgeladen / LADEN

LED 4 – GROEN – Accu gebruiksklaar / OptiMate 365 onderhoud

- A. **MODUS ACCUMONITOR** - Accu aangesloten zonder zonnepaneel OF zonnepaneel en accu zijn aangesloten, maar er is geen zon: Drie leds (#2, 3, 4) geven 5 mogelijke laadniveaus van de accu aan. De resultaten zijn het meest nauwkeurig voordat het laden op zonne-energie start, in de ochtend.

OPMERKINGEN: Het laadniveau van een accu is direct evenredig aan de over de terminals gemeten spanning. De nauwkeurigheid verbetert zodra de accu is afgekoeld tot kamertemperatuur en gedurende 6 uur of langer niet verder werd opgeladen. De omgevingstemperatuur beïnvloedt de spanning: het resultaat verslechtert als de temperatuur onder 15 °C/60 °F daalt. De parameters voor spanning en laadpercentage kunnen enigszins verschillen naargelang van het merk accu.

De led voor de accustatus knippert elke 3 seconden. De groene led 'opgeladen' heeft twee indicatiemodi voor verschillende types loodzuuraccu's.

LED:	Spanning:	STD / flooded battery	AGM / hoogwaardig
#4 Groen (twee keer knipperen)	12,7 V+	100%+	91% of meer
#4 Groen (een keer knipperen)	12,5 – 12,7 V	90 - 100%	61 – 90%
#3 geel	12,3 – 12,49 V	61 - 90%	41 – 60%
#2 rood en #3 geel	12,1 – 12,29 V	40 – 59%	20 – 40%
#2 rood	Minder dan 12,1 V	Minder dan 40%	Minder dan 20%

- B. **MODUS LADEN - Zonnepaneel aangesloten, geen accu aangesloten:** de led 'zonne-energie' licht op als het zonnepaneel laadstroom kan leveren.

Zonnepaneel EN accu aangesloten: led #1 knippert wanneer laadstroom wordt geleverd aan de accu. De snelheid van het knipperen komt overeen met de geleverde laadstroom. Snel knipperen wijst op een hoge stroom, traag knipperen op een lage stroom (bewolkte hemel of wanneer de accu geen hoge stroom aankan).

LED 2, 3 of 4 geeft het laadproces aan terwijl led #1 'zonne-energie' knippert.

LED AAN:	MODUS LADEN:	BESCHRIJVING:
LED #2 (ROOD)	RECUPERATIE	De recuperatiemodus is ingeschakeld - de accu is sterk ontladen of gesulfateerd of de spanning bij aansluiten was lager dan 12,3 V. Max. duur: 2 uur.
LED #3 (GEEL)	LADEN EN OPTIMALISEREN	VOLUMELADING - maximale laadstroom tot 14,4 V. OPTIMALISEREN - de laatste lading wordt geleverd gedurende ten minste 10 minuten. De accu blijft mogelijk verder opladen als dat nodig is. De laadtijd wordt beïnvloed door de sterkte van het zonlicht en de grootte van de accu.
LED #4 (GROEN)	ONDERHOUDEN	De accu wordt onderhouden tot een maximumspanning van 13,6 V.

DAGELIJKSE ONDERHOUDSCYCLUS: Wanneer het zonnepaneel stroom begint te leveren ('s ochtends wanneer de zon opkomt), behoort de OptiMate Solar-regelaar het laadniveau van de accu om de juiste laadmodus te bepalen.

ACCU OPGELADEN, ENKEL ONDERHOUD: Als de accu voldoende is opgeladen, zal led #4 onmiddellijk oplichten, samen met led #1 (knippert).

NL

ACCU MOET WORDEN OPGELADEN, RECUPERATIE of LADEN: Als de accu verder moet worden opgeladen, licht led #2 of 3 op, samen met led #1 (knippert).

Als het zonnepaneel niet langer stroom levert (de zon is 's avonds ondergegaan of er zijn wolken voor de zon geschoven), schakelt de OptiMate Solar-regelaar naar de modus ACCUMONITOR en geeft hij elke 3 seconden de accustatus aan.

MODUS MEERFASIG LADEN: De OptiMate Solar-regelaar schakelt automatisch tussen de modi pulsstroom en continue stroom om altijd het snelst en efficiëntst te laden. De gekozen stroomvoorzieningsmethode is afhankelijk van

- 1) de status van de accu – PULS: pulsmodus is doeltreffender om een accu te redden.
- 2) Stroom geleverd door zonnepaneel –
 - a. PULS: als de stroom zwak is (zwakke zon/bewolking) worden pulsen effectieve laadstroom geleverd. Er kunnen ten minste om de 2 seconden stroompulsen van 3 - 5 ampère worden afgegeven.
 - b. CONTINU: als de stroom van het paneel voldoende is, levert de regelaar een continue laadstroom aan de accu in de modus VOLUMELADING (led #3).

OPMERKINGEN:

1. **Een zonnepaneel met de juiste afmetingen kiezen:** 12 V-zonnepanelen worden ingedeeld naargelang van de maximale output die zij kunnen leveren bij directe, volle zon aan een vaste lading van 12 V. Het maximumvermogen wordt zelden bereikt; de output kan onder 20% zakken bij indirect zonlicht (bv. bewolking).

Voor een effectief langdurig accuonderhoud kiest u een paneel dat voldoende stroom zal leveren om de parasitaire afname van de voertuigcircuits (zoals het alarm, de klok, de controle-eenheid van de motor) te compenseren en de verloren lading 's nachts zal recupereren. Typische parasitaire afname: 10-20 mA voor een motorfiets/racevoertuig en 30-50 mA voor een auto of pick-up met een 12 V-accu.

2. **Het herstellen van een verwaarloosde accu bespoedigen** – Gebruik een OptiMate 3, 4, 5 of 6 die rechtstreeks kan worden aangesloten op het elektriciteitsnet om de accu te herstellen. Vind de geschikte OptiMate-lader op www.optimate1.com
3. **Test een accu** – Vind de geschikte OptiMate-tester op www.optimate1.com
4. De OptiMate kan een accu met een goede basisconditie gedurende verschillende maanden onderhouden. Controleer ten minste eenmaal per twee weken of de aansluitingen tussen de lader en accu betrouwbaar zijn en, in geval van accu's met vuldoppen op iedere cel, ontkoppel de accu van de lader, controleer het elektrolytpeil en vul de cellen zo nodig bij (met gedestilleerd water, NIET met zuur); sluit de accu vervolgens weer op de lader aan. Neem de VEILIGHEIDSWAARSCHUWINGEN altijd in acht wanneer u de accu vastneemt of in de buurt van een accu bent.

NL

BEPERKTE GARANTIE

TecMate (International) SA, Sint-Truidensesteenweg 252, B-3300 Tienen, België, staat deze beperkte garantie toe aan elke eerste koper van dit toestel. Deze beperkte garantie gaat in op de dag van aankoop en is niet overdraagbaar. De drie jaar geldige garantie aangeboden door TecMate (International) dekt alle erkende gebreken en arbeidskosten. Indien de lader defect blijkt te zijn tengevolge van een constructiefout, zal de klant het toestel altijd vooraf en op eigen kosten terugsturen naar de fabrikant of naar de nationale officiële verdeler, samen met een kopij van de aankoopfactuur (zie "NOTITIE"). In zulke gevallen, zal de eenheid ter keuze van de fabrikant worden hersteld of worden vervangen. Onkosten tengevolge van een ongeval, slordigheid, kwaadwilligheid, misbruik, niet conform gebruik volgens de aanwijzingen van de fabrikant, of herstellingen gedaan door door TecMate niet-erkende verdelers, zijn niet gedekt door de garantie.

DE BEPERKTE GARANTIE SLUIT UITDRUKKELIJK ALLE VERDERE VERANTWOORDELIJKHEID UIT MET BETREKKING TOT EVENTUELE SCHADEVERGOEDINGEN VAN WELKE AARD DAN OOK. UW STATUTAIRE RECHTEN WORDEN NIET BÉINVLOED.

NOTITIE: Zie www.tecmate.com/warranty of contacteer warranty@tecmate.com.

Meer informatie over TecMate producten kan op www.tecmate.com worden gevonden.

NON IDONEO PER BATTERIE NiCd, NiMH, Li-Ion O NON RICARICABILI.

IMPORTANTE: LEGGERE ATTENTAMENTE LE SEGUENTI ISTRUZIONI PRIMA DI UTILIZZARE IL CARICATORE

Questo dispositivo non è destinato all'uso da parte di persone (tra cui i bambini) con ridotte capacità mentali, sensoriali o fisiche oppure con una carenza in esperienza e conoscenza, salvo supervisione o istruzioni relative all'uso del dispositivo da parte di una persona responsabile della loro sicurezza. I bambini devono essere sorvegliati per evitare che giochino con il dispositivo.

AVVERTENZE e NOTE DI SICUREZZA: Le batterie emettono GAS ESPLOSIVI – evitare di produrre fiamme o scintille vicino alle batterie. Scollegare la corrente CA prima di effettuare connessioni CC/batteria. L'acido delle batterie è estremamente corrosivo. Indossare indumenti e occhiali di protezione ed evitare il contatto diretto. In caso di contatto accidentale, lavarsi immediatamente con acqua e sapone. Verificare che i poli non siano allentati; in caso contrario portare la batteria da un professionista. Qualora i poli fossero corrosi, pulirli con uno spazzolino a fili di rame; rimuovere il grasso e lo sporco con un panno inumidito con detergente. Azionare il caricatore solo se i conduttori in uscita e in entrata e i connettori sono in buone condizioni e non presentano danni. Qualora il cavo di alimentazione fosse danneggiato, è essenziale farlo sostituire immediatamente dal fabbricante, da un suo agente di servizio autorizzato o da un'officina qualificata, onde evitare possibili pericoli. Proteggere il caricatore da acidi e vapori acidi e dall'umidità sia durante l'uso sia al momento di riparlo. I danni dovuti alla corrosione, ossidazione o corto circuito dei circuiti elettrici interno non sono coperti da garanzia. Distanziare il caricatore dalla batteria durante la carica per evitare la contaminazione o esposizione agli acidi e vapori acidi. Se utilizzato in posizione orizzontale, posizionare il caricatore su una superficie dura e piana, ma NON su plastica, tessuto o pelle. Servirsi degli appositi fori praticati nella base di appoggio per attaccare il caricatore a una solida e adatta superficie verticale.

ESPOSIZIONE AI LIQUIDI: Se sistemato in posizione orizzontale su una superficie piana, questo caricatore è progettato in modo da prevenire danni al circuito elettrico in caso di esposizione a liquidi versati o spruzzati accidentalmente dall'alto. I guasti del caricatore in seguito a ossidazione del pannello di controllo elettronico dovuta a un'eventuale penetrazione di liquido nei componenti elettronici non sono coperti da garanzia. I connettori o le prese non vanno mai esposti alla pioggia o alla neve.

COLLEGAMENTI: Sono disponibili 2 set di collegamenti intercambiabili, uno a morsetti fornito con il caricatore per caricare la batteria fuori dal veicolo, l'altro in opzione con occhielli in metallo per la connessione permanente ai poli, e un tappo a tenuta stagna richiudibile sul connettore di collegamento al caricatore. Questo set permette un facile e sicuro collegamento del caricatore per la manutenzione della batteria senza rimozione dal veicolo. Il tappo a tenuta stagna richiudibile è progettato per proteggere il connettore dalla sporcizia e dall'umidità quando il caricatore non è collegato. Consultare un professionista per il collegamento degli occhielli metallici ai poli. Assicurare il connettore al tappo a tenuta stagna per evitare che possa interferire con parti smovibili del veicolo o che il cavo sia pizzicato o danneggiato da bordi taglienti. Il fusibile in linea nel set di collegamento a occhielli protegge la batteria da cortocircuiti accidentali fra i conduttori positivo e negativo. Sostituire i fusibili bruciati solo con fusibili nuovi similari da 15A.

IT

CONNESSIONE DEL CARICABATTERIE ALLA BATTERIA

1. Scollegare l'alimentazione CA prima di effettuare o di eliminare delle connessioni alla batteria/CC.
2. Se si carica la batteria del veicolo con i morsetti della batteria, prima di effettuare le connessioni verificare che i morsetti della batteria possano essere posizionati in modo sicuro e protetto, distanti da cavi e tubi metallici circostanti o dal telaio. Eseguire le connessioni procedendo come segue: collegare innanzitutto il terminale della batteria non collegato al telaio (solitamente positivo), quindi collegare l'altro morsetto della batteria (solitamente negativo) al telaio, mantenendo le distanze dalla batteria e dalla linea del combustibile. Scollegare sempre nella sequenza contraria.
3. Quando si carica una batteria smontata dal veicolo utilizzando i morsetti della batteria, posizionare quest'ultima in una zona ben ventilata. Collegare il caricabatterie alla batteria: morsetto ROSSO a terminale POSITIVO (POS, P o +) e morsetto NERO a terminale NEGATIVO (NEG, N o -). Verificare che le connessioni siano salde e sicure. Un buon contatto è fondamentale.
4. **Se la batteria è molto scarica (e probabilmente soffattizzata), rimuoverla dal veicolo e ispezionarla prima di collegare il caricabatterie per effettuare un tentativo di recupero.** Effettuare un'ispezione visiva della batteria per rilevare la presenza di eventuali difetti meccanici, quali una scatola curvata o incrinata, oppure segni di perdite di elettroliti. Se la batteria presenta tappi per riempimento e le placche nelle celle sono visibili dall'esterno, esaminare attentamente la batteria per cercare di stabilire se alcune celle hanno un aspetto diverso dalle altre (ad esempio, se presentano del materiale bianco tra le placche o se le placche sono in contatto tra loro). Qualora vengano rilevati difetti meccanici, non cercare di ricaricare le batterie, ma sottoporle a una verifica da parte di esperti.

5. Se la batteria è nuova, prima di procedere alla connessione del caricabatterie, leggere attentamente le istruzioni di sicurezza e di funzionamento del produttore della batteria. Ove necessario, attenersi scrupolosamente alle istruzioni di riempimento di acido.

FUNZIONAMENTO:

LED INDICATIONS



CHARGER



12V

LED 1 - SOLARE

LED 2 - ROSSO - Scarica/RECUPERO

LED 3 - GIALLO - Necessita di carica/CARICA

LED 4 - VERDE - Batteria pronta/Mantenimento OptiMate 365

- A. **MODALITÀ MONITORAGGIO BATTERIE** - Batteria collegata senza pannello solare o pannello solare e batteria collegati, ma assenza di sole): I tre LED (#2, 3, 4) indicano 5 possibili livelli di carica della batteria. I risultati prima dell'inizio della carica SOLARE al mattino possono essere considerati più accurati.

NOTE: Un livello di carica della batteria è direttamente proporzionale alla tensione misurata nei terminali. La precisione migliora quando la batteria raggiunge la temperatura ambiente e non riceve ulteriore carica per almeno 6 o più ore. La temperatura ambiente ha un impatto sulla tensione, il risultato peggiorerà quando la temperatura scende ulteriormente sotto i 15 °C/60 °F. Alcuni marchi di batterie possono avere una tensione leggermente diversa e parametri di carica espressi in percentuali.

Il LED che corrisponde allo stato della batteria lampeggerà ogni 3 secondi. Il LED Verde "batteria carica" ha due modalità di indicazione per diversi tipi di batterie al piombo-acido.

LED:	Tensione:	Batteria STD/inondata	AGM/ad alto rendimento
#4 Verde (doppio flash)	12,7 V+	100%+	pari o superiore al 91%
#4 Verde (flash singolo)	12,5 - 12,7 V	90 - 100%	61 - 90%
#3 giallo	12,3 - 12,49 V	61 - 90%	41 - 60%
#2 rosso e #3 giallo	12,1 - 12,29 V	40 - 59%	20 - 40%
#2 rosso	Inferiore a 12,1 V	Inferiore al 40%	Inferiore al 20%

- B. **MODALITÀ DI CARICA** - Pannello solare collegato, nessuna batteria collegata: IL LED solare si accenderà se il pannello solare può erogare carica.

Pannello solare E batteria collegati: Il LED #1 lampeggia quando la corrente di carica viene erogata alla batteria. La velocità di lampeggiamento corrisponde alla corrente fornita: veloce significa corrente elevata, lenta significa corrente bassa (condizioni di cielo nuvoloso o batteria non in grado di accettare una corrente elevata).

I LED 2, 3 o 4 indicano l'avanzamento di carica mentre il LED SOLARE #1 lampeggia.

LED ACCESSO:	MODALITÀ DI CARICA:	DESCRIZIONE:
LED #2 (ROSSO)	RECUPERO	Modalità di recupero della batteria in corso - la batteria è molto scarica/ solfata o la tensione al momento del collegamento era inferiore a 12,3 V. Durata massima: 2 ore
LED #3 (GIALLO)	CARICA E OTTIMIZZAZIONE	CARICA PRINCIPALE - corrente di carica massima fino a 14,4 V) OTTIMIZZAZIONE - la carica finale viene erogata per almeno 10 minuti. La carica può continuare se la batteria necessita di ulteriore carica. L'intensità del sole e la dimensione della batteria possono influire sul tempo di carica.
LED #4 (VERDE)	MANTENIMENTO	La batteria è mantenuta fino a una tensione massima di 13,6 V.

CICLO DI MANTENIMENTO QUOTIDIANO: Quando il pannello solare inizia a fornire energia (ad esempio la mattina al sorgere del sole) l'unità di controllo OptiMate Solar controlla il livello di carica della batteria per stabilire la modalità di carica più adatta.

BATTERIA CARICA, SOLO MANTENIMENTO: Se la batteria è sufficientemente carica, il LED #4 si accenderà subito con il LED #1 (lampeggiante).

LA BATTERIA NECESSITA DI CARICA, RECUPERO o CARICA: Se la batteria necessita di ulteriore carica, il LED #2 o 3 si accenderà con il LED #1 (lampeggiante).

Quando il pannello solare interrompe di fornire energia (la sera al tramonto o in presenza di nubi), l'unità di controllo OptiMate Solar passa alla modalità MONITORAGGIO BATTERIA e continua a indicare lo stato della batteria ogni 3 secondi.

MODALITÀ DI CARICA MULTIFASE: L'unità di controllo OptiMate Solar alterna automaticamente le modalità di corrente continua e a impulsi per fornire sempre la carica più completa e veloce. Il metodo selezionato di erogazione della corrente dipende da

- 1) lo stato della batteria - A IMPULSI: la modalità a impulsi è più efficace nel recupero di una batteria.
- 2) l'energia erogata dal pannello solare -
 - a. IMPULSO: quando l'energia è bassa (sole debole/presenza di nubi) vengono erogati impulsi di corrente di carica ottimale. Impulsi di corrente da 3 - 5 Amp possono essere erogati almeno ogni 2 secondi.
 - b. CONTINUA: quando l'energia ricevuta dal pannello è sufficiente, l'unità di controllo fornisce una corrente di carica continua alla batteria durante la modalità di CARICA PRINCIPALE (LED #3).

NOTE:

1. **Scegliere la dimensione del pannello solare:** I pannelli solari da 12V sono classificati in base alla corrente di uscita massima che sono in grado di fornire sotto la luce piena e diretta del sole a un carico fisso di 12V. La corrente massima si raggiunge raramente; la corrente di uscita può scendere sotto il 20% alla luce non diretta (p.es. in presenza di nubi).
Per un mantenimento della batteria efficace a lungo termine scegliere un pannello che fornisca abbastanza corrente da superare perdite parassite dei circuiti del veicolo (come allarme, orologio, unità di controllo del motore) e restituire la carica persa durante la notte. Tipica perdita parassita: 10-20mA per una motocicletta / veicolo di sport di potenza e 30-50mA per un'auto o un pick up dotati di batteria 12V.
2. **Velocizzare il recupero di una batteria trascurata** – Usare un OptiMate 3, 4, 5 o 6 che si collega direttamente all'alimentazione CA per recuperare la batteria. Trovate il caricabatterie OptiMate adatto su www.optimate1.com
3. **Testare una batteria** – Trovate il tester OptiMate adatto su www.optimate1.com
4. OptiMate SOLAR terrà in vita per mesi una batteria che presenti una buona condizione di base. Almeno una volta ogni due settimane, controllare che le connessioni tra il caricatore e la batteria siano sicure e, in caso di batterie con tappi di riempimento, disconnettere la batteria dal caricatore, controllare il livello di elettrolito e, se necessario, riempire le celle (con acqua distillata, NO acido), quindi riconnetterla. Quando si maneggiano le batterie o anche solo in presenza di batterie, leggere sempre con cura le AVVERTENZE DI SICUREZZA contenute in questo manuale.

IT

GARANZIA LIMITATA

TecMate (International) S.A., Sint-Truidensesteenweg 252, B-3300 Tienen, Belgio riconosce questa garanzia limitata agli acquirenti originali al dettaglio di questo strumento. Questa garanzia limitata non è trasferibile. TecMate (International) garantisce il carica per tre anni dalla data di acquisto al dettaglio contro difetti di materiale o di manodopera. Se tali difetti fossero riscontrati lo strumento verrà riparato o sostituito a discrezione dell'Azienda. Sarà obbligo dell'acquirente rispedire lo strumento, a proprie spese e cura, con il tagliando di acquisto (vede "NOTA"), al produttore o al distributore autorizzato. Questa garanzia limitata è nulla se il prodotto è maltrattato o usato male, soggetto ad incuria nel maneggiamento, o riparato da chiunque esclusi il produttore o il distributore autorizzato. Il produttore non riconosce altre garanzie se non questa limitata garanzia ed esclude espressamente ogni implicata garanzia che includa garanzie per conseguenti danneggiamenti.

QUESTA È LA SOLA ED ESPRESSAMENTE LIMITATA GARANZIA E L'AZIENDA PRODUTTRICE NE ASSUME NE AUTORIZZA ALCUNO AD ASSUMERE O FARE ALTRE CONCESSIONI CHE RIGUARDINO IL PRODUTTORE, DIVERSAMENTE DA QUESTA. I VOSTRI DIRITTI STATUTARI NON SONO COMMOVENTI.

NOTA: Vede www.tecmate.com/warranty o contattate warranty@tecmate.com

Si può trovare più informazione sui prodotti di TecMate da www.tecmate.com.

ANVÄND INTE MED NiCd-, NiMH-, Li-Ion- ELLER EJ UPPLADDNINGSBARA BATTERIER.

VIKTIGT: LÄS NEDANSTÅENDE ANVISNINGAR INNAN DU BÖRJAR ANVÄNDA LADDAREN

Den här apparaten ska inte användas av personer (inklusive barn) med nedsatt fysisk, sensorisk eller mental förmåga, eller personer som saknar erfarenhet och kunskap, såvida de inte hålls under uppsikt eller instrueras om hur apparaten används av en person som ansvarar för deras säkerhet. Håll barn under uppsikt för att se till att de inte leker med apparaten.

SÄKERHETSFORESKRIFTER och ANMÄRKNINGAR: Batterier avger explosiva gaser – undvik öppen låga eller gnistor i närheten av batterier. Koppla från nätströmförsörjningen innan du upprättar eller avbryter likströms- eller batterianslutning. Batterisyra är starkt frätande. Använd skyddskläder och ögonskydd och undvik kontakt. Skölj omedelbart med tvål och vatten vid kontakt av misstag. Kontrollera att batteriets poler inte är lösa. Låt granska batteriet av en fackman om så är fallet. Rengör batteripolerna med en koppborste om de är korroderade. Rengör dem med en trasa fuktad med rengöringsmedel om det är fett eller smuts på dem. Använd laddaren endast om in- och utgående sladdar och kontaktdon är i gott och oskadat skick. Är den ingående sladden skadad måste den för att undvika skada snarast bytas av tillverkaren, av denne godkänd underhållspersonal eller av behörig verkstad. Skydda laddaren från syra och syraångor och från fukt och fuktiga förhållanden, såväl under bruk som under förvaring. Skada som uppstår på grund av korrosion, oxidering eller inre kortslutning täcks inte av garantin. Undvik förorening genom eller exponering för syra och syraångor genom att hålla laddaren på avstånd från batteriet under laddning. Ställ laddaren på en fast plan yta, men INTE på plast, textil eller läder, om den används vägrätt. Använd de fästhål som finns i botten av omslutningen för att fästa laddaren vid lämplig lodrät yta.

EXPONERING FÖR VÄTSKOR: När denna laddare placeras på en plan yta eller väggmonteras är den konstruerad för att förhindra skador på elektroniska styrkretsar på grund av att vätska av misstag spills eller stänks på höljets yta. Fel på laddaren på grund av oxidation på det elektroniska styrkortet till följd av att vätska eventuellt trängt in i de elektroniska komponenterna täcks inte av garantin. Exponera aldrig kontaktdon eller kontakter för regn eller snö.

BATTERIANSLUTNINGAR: Det finns två utbytbara uppsättningar anslutningar. Med batteriet levereras en uppsättning batteriklämmor för att ladda batteriet utanför fordonet. Med den extra anslutningsuppsättningen följer ögleklämmor av metall för bestående anslutning till batteripolerna och ett återförlutbart vattentätt lock till kontaktdonet som ansluts till laddarens utgångskabel. Denna uppsättning anslutningar gör det möjligt att enkelt och säkert ansluta laddaren och ha batteriet kvar i fordonet. Det återförlutbara vattentäta locket är konstruerat för att skydda kontaktdonet från smuts och fukt när laddaren inte är ansluten. Samråd med en fackman för att få hjälp med att ansluta metallögglorna till batteripolerna. Fäst kontaktdonet med det vattentäta locket så att det inte kan komma i vägen för någon rörlig del i fordonet eller klämmas fast eller skadas av skarpa kanter. Den integrerade säkringen i ögleanslutningen skyddar batteriet mot kortslutning av misstag genom att batteriets positiva och negativa poler kommer i kontakt med varandra. Säkring som har löst ut ska bytas mot motsvarande ny säkring märkt 15 A.

ANSLUTA LADDAREN TILL BATTERIET

1. Koppla ifrån spänningsförsörjningen (växelström) innan du ansluter eller lossar likströms- eller batterianslutningar.
2. När ett batteri laddas i fordonet med batterikablar, måste du innan du ansluter, kontrollera att batteriklämmorna kan placeras säkert och att de inte vidrör omkringliggande ledningar, metallrör eller chassiet. Anslut i följande ordning: Anslut först till den batteriklämma som inte är ansluten till chassiet (normalt positiv), anslut sedan den andra batteriklämma (normalt negativ) till chassiet på ett tillräckligt avstånd från batteriet och bränsleledningar. Lossa alltid anslutningarna i motsatt ordningsföljd.
3. När ett batteri ska laddas utanför fordonet med batteriklämmorna måste det placeras i ett utrymme med god ventilation. Anslut laddaren till batteriet: Anslut den RÖDA klämman till PLUS-polen (POS, P eller +) och den SVARTA klämman till MINUS-polen (NEG, N eller -). Kontrollera att anslutningarna sitter korrekt och säkert. God kontakt är viktigt.
4. Om batteriet är djupurladdat (och eventuellt sulfaterat) måste det demonteras ur fordonet och kontrolleras, innan det ansluts till laddaren för återladdning. Kontrollera batteriet visuellt för att upptäcka mekaniska defekter som utbuktningar eller sprickor samt tecken på elektrolytläckor. Om batteriet har påfyllningslock och man kan se plattorna i cellerna utifrån måste batteriet undersökas nogga för att avgöra om någon cell verkar annorlunda än de andra (t.ex. vitt material mellan plattorna, plattorna rör vid varandra). Ladda inte batteriet om det är mekaniskt skadat. Låt en fackhandlare kontrollera det.
5. Om batteriet är nytt: Läs batteritillverkarens instruktioner om säkerhet och drift nog innan laddaren ansluts till batteriet. Läs och följ instruktionerna för påfyllning av syra (om tillämpligt).

ANVÄNDNING:

LED INDICATIONS



CHARGER

✓ 1

2

3

4



12V

LYSDIOD 1 – SOL

LYSDIOD 2 – RÖD – Urladdat/SAVE

LYSDIOD 3 – GUL – Behöver laddas/CHARGE

LYSDIOD 4 – GRÖN – Batteri redo/OptiMate 365-underhåll

- A. **BATTERIÖVERVAKNINGSLÄGE** – Batteri anslutet utan solpanel ELLER solpanel och batteri är anslutna men solen lyser inte: Tre lysdioder (2, 3 och 4) används för att visa fem möjliga batteriladdningsnivåer. Resultaten som visas innan laddning via solenergi inleds på morgonen är de mest korrekta.

OBS! Batteriets laddningsnivå står i direkt proportion till den spänning som uppmäts över polerna. Noggrannheten förbättras när batteriet har svalnat till rumstemperatur och inte har laddats ytterligare under minst sex timmar. Omgivningstemperaturen påverkar spänningen och resultaten försämras så fort temperaturen sjunker under 15 °C. Vissa batterimärken kan ha något avvikande parametrar för spänning och procentuell laddning.

Den lysdiod som motsvarar batteriets skick blinkar var tredje sekund. Den gröna lysdioden CHARGED har två visningslägen för olika typer av blybatterier.

Lysdiod:	Spänning:	STD/vätskefyllt batteri	AGM/högprestanda
Nr 4 grön (dubbel blinkning)	12,7 V+	100 %+	91 % eller mer
Nr 4 grön (enkel blinkning)	12,5–12,7 V	90–100 %	61–90 %
Nr 3 gul	12,3–12,49 V	61–90 %	41–60 %
Nr 2 röd och nr 3 gul	12,1–12,29 V	40–59 %	20–40 %
Nr 2 röd	Mindre än 12,1 V	Mindre än 40 %	Mindre än 20 %

- B. **LADDNINGSLÄGE** – Solpanel ansluten, inget batteri anslutet: Lysdioden för SOL kommer att tändas om solpanelen kan användas för laddning.

Solpanel OCH batteri anslutna: Lysdiod 1 blinkar när laddningsströmmen levereras till batteriet. Blinkhastigheten motsvarar den ström som levereras, dvs. snabb blinkning betyder hög ström, långsam betyder låg ström (om det är molnigt eller batteriet inte kan ta emot laddning med hög ström).

Lysdiod 2, 3 eller 4 visar laddningens förlopp medan lysdiod 1 (SOL) blinkar.

LYSDIOD TÄND:	LADDNINGSLÄGE:	BESKRIVNING:
LYSDIOD 2 (RÖD)	SAVE	Batteriladdningsläget är aktivt – batteriet är djupurladdat/sulfaterat eller spänningen var mindre än 12,3 V vid anslutning. Max. tid: 2 timmar
LYSDIOD 3 (GUL)	LADDA OCH OPTIMERA	BULKLADDNING – maximal laddningsström på upp till 14,4 V. OPTIMERA – slutladdning levereras i minst 10 minuter. Laddningen kan fortsätta om batteriet kräver detta. Laddningstiden påverkas av tillgängligt solljus och batteristorlek.
LYSDIOD 4 (GRÖN)	UNDERHÅLL	Batteriet underhållsladdas upp till en maximal spänning på 13,6 V.

DAGLIG UNDERHÅLLSCYKEL: När solpanelen börjar leverera ström (t.ex. på morgonen när solen går upp) kontrollerar styrenheten i OptiMate Solar batteriets laddningsnivå för att avgöra vilket laddningsläge som är lämpligt.

BATTERIET LADDAT, ENDAST UNDERHÅLL: Om batteriet är tillräckligt laddat tänds lysdiod 4 omedelbart tillsammans med lysdiod 1 (som blinkar).

SV

BATTERIET BEHÖVER LADDAS, SAVE/CHARGE: Om batteriet behöver ytterligare laddning kommer lysdiod 2 eller 3 att tändas tillsammans med lysdiod 1 (som blinkar).

När solpanelen slutar leverera ström (när solen går ned eller om det blir mulet) övergår OptiMate Solar-styrenheten till batteriövervakningsläge. Batteristatus visas fortfarande var tredje sekund.

LADDNINGSLÄGE I FLERA STEG: OptiMate Solar-styrenheten växlar automatiskt mellan pulsström och kontinuerlig ström så att laddningen alltid blir så effektiv och snabb som möjligt. Hur strömmen levereras varierar beroende på:

- 1) Batteriets skick – PULS: Puls läget är mer effektivt när ett batteri behöver räddas.
- 2) Ström från solpanelen –
 - a. PULS: vid låg ström (svagt solljus/molnigt) levereras pulser av effektiv laddningsström. Strömpulser på 3–5 ampere kan avges minst varannan sekund.
 - b. KONTINUERLIGT: när solpanelen levererar tillräckligt med ström avger styrenheten kontinuerlig laddningsström till batteriet under läget för BULKLADDNING (lysdiod 3).

ANMÄRKNINGAR:

1. **Välja rätt storlek på solcellspanel:** Solcellspaneler på 12 V klassas beroende på den maximala uteffekten som de kan leverera i direkt och fullt solljus när de är anslutna till en enhet på 12 V. Maximal strömstyrka uppnås väldigt sällan, uteffekten kan sjunka till under 20 % i indirekt solljus (t.ex. vid molnigt väder).

För att batteriet ska underhållsladdas effektivt, ska du välja en solcellspanel som levererar tillräckligt med ström för att kunna ersätta strömförlusten till fordonets kretsar (som exempelvis larm, klocka, motorstyrenhet) under natten. Exempel på strömförlust: 10–20 mA för en motorcykel/sportbil och 30–50 mA för en bil eller pickup utrustade med ett 12 V-batteri.

2. **Snabba upp återställningen av ett avställt batteri** – Använd OptiMate 3, 4, 5 eller 6 som ansluts direkt till växelström för att återställa batteriet. Hitta lämplig OptiMate-laddare på www.optimate1.com
3. **Testa ett batteri** – Hitta lämplig OptiMate batteritestare på www.optimate1.com
4. OptiMate SOLAR kan bevara ett batteri i gott skick i flera månader i taget. Du bör kontrollera att kopplingen mellan laddaren och batteriet är korrekt minst varannan vecka och om det är ett batteri med påfyllningslock på varje cell, bör du även koppla från batteriet från laddaren, kontrollera elektrolytnivån och vid behov fylla på cellerna (**med destillerat vatten, INTE syra**) och sedan återansluta dem. Ta alltid hänsyn till de SÄKERHETSVARNINGAR som beskrivs i denna manual när du hanterar eller befinner dig i närheten av batterier.

INSKRÄNKT GARANTI

TecMate (International) NV, Sint-Truidensesteenweg 252, B-3300 Tienen, Belgien, utfärdar denna garanti till den ursprungliga köparen av produkten. Garantin kan inte överlåtas. Denna batteriladdare har av TecMate (International) försetts med en garanti som gäller i tre år från och med det datum den köpts hos en återförsäljare. Garantin omfattar materialfel och tillverkningsfel. Om något av nämnda fel upptäcks kommer enheten att repareras eller bytas ut enligt tillverkarens önskemål. Köparen måste överlämna enheten tillsammans med ett köpebevis (se "NOTERA") och förbetalda transport- eller portokostnader till tillverkaren eller en auktoriserad återförsäljare. Garantin gäller inte om produkten används felaktigt eller vårdslöst. Den gäller heller inte om produkten reparerats av någon annan än tillverkaren eller en auktoriserad återförsäljare. Denna garanti är den enda giltiga och den omfattar inga implicerade garantikrav, inklusive garantikrav för följskador.

DETTA ÄR DEN ENDA GÄLLANDE GARANTIN OCH TILLVERKAREN VARKEN ÅTAR SIG ELLER AUKTORISERAR NÅGON ANNAN ATT ÅTA SIG ELLER UPPRÄTTA NÅGRA SKYLDIGHETER GENTEMOT PRODUKTEN FÖRUTOM DENNA GARANTI. DINA LAGLIGA RÄTTIGHETER PÅVERKAS INTE.

NOTERA: Se www.tecmate.com/warranty eller kontakta warranty@tecmate.com

Mer information på TecMate produkter kan finnas på www.tecmate.com.

NEPOUŽÍVEJTE BATERIE NIKD, NIMH, LI-ION NEBO NE-NABÍJÍCÍ.

DŮLEŽITÉ: PŘED POUŽITÍM NABÍJEČKY SI PŘEČTĚTE NÁSLEDUJÍCÍ POKYNY

Toto zařízení není určeno pro používání osobami (včetně dětí) se sníženými fyzickými, senzoryckými nebo duševními schopnostmi nebo s nedostatkem zkušeností a znalostí, pokud nepracují pod dozorem nebo pokud od osoby zodpovědné za jejich bezpečnost neobdržely pokyny týkající se používání zařízení. Děti by měly být pod dozorem, aby si nemohly s tímto zařízením hrát.

BEZPEČNOSTNÍ UPOZORNĚNÍ A POZNÁMKY: Baterie vydávají **VÝBUŠNÉ PLYNY** - zabraňují vzniku plamene nebo jisker v blízkosti baterií. Odpojte síťový napájecí zdroj předtím, než vytvoříte nebo vypnete připojení DC / baterie. Kyselina akumulátoru je vysoce korozivní. Používejte ochranný oděv a brýle a vyhněte se kontaktu. V případě náhodného kontaktu okamžitě omyjte mýdlem a vodou. Zkontrolujte, zda nejsou sloupky baterie volné; pokud ano, nechte baterii odborně posoudit. Pokud jsou sloupky na baterie poškozené, vyčistěte měděným drátem; pokud jsou mastné nebo špinavé čistě hadříkem navlhčeným v detergentu. Použijte nabíječku pouze v případě, že vstupní a výstupní vedení a konektory jsou v dobrém, nepoškozeném stavu.

Pokud je vstupní kabel poškozen, nechte jej neprodleně vyměnit u výrobce, jeho autorizovaného servisního zástupce nebo v kompetentní dílně, aby nevzniklo nebezpečí. Při používání i skladování chráňte nabíječku před kyselinou, kyselými výparry a vlhkostí. Na poškození vzniklé korozi, oxidací nebo vnitřním elektrickým zkratem se záruka nevztahuje. Nabíječku udržujte během nabíjení baterie v dostatečné vzdálenosti, aby nedošlo ke znečištění nebo styku s kyselinou nebo kyselými výparry. Pokud používáte nabíječku ve vodorovné poloze, položte ji na tvrdý, hladký povrch, ale **NIKDY** na plast, textil nebo kůži. Použijte připravené otvory na spodní straně krytu k upevnění nabíječky k jakémukoli vhodnému, pevnému vlnitému povrchu.

VYSTAVENÍ TEKUTINÁM: Nabíječka je navržena tak, aby odolala styku s kapalinami náhodně rozlitými nebo rozstříknutými na pouzdro shora nebo mírnému dešti. Nedoporučuje se ponechávat nabíječku dlouhodobě vystavenou dešti, což by rovněž mělo za následek zkrácení životnosti. Na poruchy nabíječky v důsledku oxidace způsobené případným proniknutím tekutiny k elektronickým součástkám, svorkám nebo zástrčkám, se záruka nevztahuje.

PŘIPOJENÍ BATERIE: K dispozici jsou 2 výměnné propojovací sady, dodávané s nabíječkou je sada bateriových svorek pro nabíjení baterie mimo vozidlo, druhá sada pro připojení je dodávána s kovovými očkami pro trvalé připojení k stojanům na baterie a znovu utěsnitelná proti povětrnostním vlivům víčko na konektoru, který se připojuje k výstupnímu kabelu nabíječky. Tato sada připojení umožňuje snadné a spolehlivé připojení nabíječky k údržbě baterie ve vozidle. Uzavíratelná uzávěrka odolná proti povětrnostním vlivům je určena k ochraně konektoru před nečistotami a vlhkostí, kdykoli není nabíječka připojena. Poradte se s odborným servisním zástupcem, který vám pomůže při upevňování kovových oček na sloupky baterií. Konektor zajistěte uzávěrem odolným proti povětrnostním vlivům, aby nedošlo k poškození žádné pohyblivé části vozidla, nebo by mohl být kabel zachycen nebo poškozen ostrými hranami. In-line pojistka v sadě pro připojení oček chrání baterii před takovým náhodným zkratováním přes kladné a záporné vodiče. Vyměňte veškerou spálenou pojistku pouze za podobnou novou pojistku o jmenovité hodnotě 15A.

PŘIPOJENÍ NABÍJEČKY K BATERII

1. Před připojením nebo odpojením stejnosměrného proudu / připojení baterie odpojte zdroj střídavého proudu.
2. Pokud nabijíte baterii ve vozidle pomocí svorek baterie ujistěte se před připojením, že je možné svorky baterie bezpečně umístit tak, aby narušily okolní vedení, kovové trubní nebo rám. Připojení provádějte v tomto pořadí: Nejprve připojte pól baterie, který není připojen k rámu (obvykle kladný), pak připojte další svorku baterie (obvykle zápornou), která je připojena k rámu tak, aby nezasahovala do vedení baterie nebo paliva. Odpojte vždy v opačném pořadí.
3. Pokud nabijíte baterii svorkami mimo vozidlo, umístěte ji v dobře větraném prostoru. Připojte nabíječku k baterii: ČERVENOU svorku ke Kladnému (POS, P nebo +) pólu a ČERNOU svorku k Zápornému (NEG, N nebo -) pólu. Dbejte na to, aby byla připojení pevná a bezpečná. Dobrý kontakt je důležitý.

PROVOZ:

LED INDICATIONS



CHARGER



12V

LED 1 – SOLÁRNÍ

LED 2 – ČERVENÁ – Vybitá / ŠETRŇNÝ REŽIM

LED 3 – ŽLUTÁ – Potřebuje nabít / NABÍJENÍ

LED 4 – ZELENÁ – Baterie připravena k použití / Údržba OptiMate 365

- A. REŽIM MONITOROVÁNÍ BATERIE** – Baterie je připojená bez solárního panelu NEBO je připojen solární panel i baterie, ale nesvítí (slunce): Tři LED diody (č. 2, 3, 4) označují 5 úrovní nabití baterie. Za nejpřesnější lze považovat výsledky zjištěné předtím, než bude ráno zahájeno nabíjení v režimu SOLÁRNÍ.

POZNÁMKY: Úroveň nabití baterie je přímo úměrná napětí naměřenému na svorkách. Přesnost se zvyšuje, když baterie vychladne na pokojovou teplotu a nebyla dále nabíjena alespoň 6 hodin. Napětí ovlivňuje rovněž okolní teplota – výsledek bude horší, když teplota klesne pod 15 °C / 60 °F. U některých značek baterií se mohou parametry napětí a % nabití mírně lišit.

LED dioda odpovídající stavu baterie zabliká každé 3 sekundy. Zelená LED dioda „nabítá“ má dva indikační režimy pro různé typy olověných baterií.

LED:	Napětí:	STD / zaplavená baterie	AGM / výkonné
č. 4 zelená (dvě bliknutí)	12,7 V+	100 %+	91 % nebo vyšší
č. 4 zelená (jedno bliknutí)	12,5–12,7 V	90–100 %	61–90 %
č. 3 žlutá	12,3–12,49 V	61–90 %	41–60 %
č. 2 červená a č. 3 žlutá	12,1–12,29 V	40–59 %	20–40 %
č. 2 červená	Menší než 12,1 V	Nižší než 40 %	Nižší než 20 %

- B. REŽIM NABÍJENÍ – Solární panel je připojený, baterie není připojená:** LED dioda Solární svítí, pokud je solární panel schopen nabíjet baterii.

Solární panel i baterie jsou připojeny: LED dioda č. 1 bliká, když je do baterie dodáván nabíjecí proud. Rychlost blikání odpovídá dodávanému proudu, tj. rychlé blikání znamená větší proud, pomalé blikání znamená menší proud (je zamračeno nebo baterie neakceptuje velký proud).

LED diody č. 2, 3 nebo 4 označují průběh nabíjení, když bliká LED dioda č. 1 SOLÁRNÍ.

ROZSVÍCENÁ LED:	REŽIM NABÍJENÍ:	POPIS:
LED č. 2 (ČERVENÁ)	ŠETRŇNÝ REŽIM	Baterie je nabíjena v šetrném režimu – baterie je silně vybitá / sulfatovaná, nebo bylo napětí v okamžiku připojení nižší než 12,3 V. Max. doba: 2 hodiny
LED č. 3 (ŽLUTÁ)	NABÍJENÍ A OPTIMALIZACE	OBJEMOVÉ NABÍJENÍ – maximální nabíjecí proud až 14,4 V OPTIMALIZACE – závěrečné nabíjení bude probíhat minimálně 10 minut. Nabíjení může pokračovat, pokud to baterie vyžaduje. Doba nabíjení je ovlivněna intenzitou slunečního svitu a velikostí baterie.
LED č. 4 (ZELENÁ)	ÚDRŽBA	Baterie je udržována až do maximálního napětí 13,6 V.

DENNÍ CYKLUS ÚDRŽBY: Když solární panel začne dodávat energii (např. ráno, kdy vyjde slunce), regulátor OptiMate Solar vyhodnotí úroveň nabití baterie a rozhodne o použití příslušného režimu nabíjení.

BATERIE NABÍTÁ, POUZE ÚDRŽBA: Pokud je baterie dostatečně nabitá, LED č. 4 se okamžitě rozsvítí spolu s LED č. 1 (bliká).

BATERIE POTŘEBUJE NABÍT, ŠETRŇNÝ REŽIM nebo NABÍJENÍ: Pokud je potřeba baterii dále nabíjet, rozsvítí se LED č. 2 nebo 3 spolu s LED č. 1 (bliká).

Když solární panel přestane dodávat energii (slunce večer zajde, nebo ho zakryje mrak), regulátor OptiMate Solar přepne na režim

MONITOROVÁNÍ BATERIE a každé 3 sekundy signalizuje stav baterie.

REŽIM NABÍJENÍ S NĚKOLIKA KROKY: Regulator OptiMate Solar automaticky přepíná mezi režimem impulzního a nepřetržitého nabíjecího proudu, aby stále probíhalo co nejučinnější a nejrychlejší nabíjení. Zvolená metoda dodávky proudu závisí na následujících faktorech:

- 1) Stav baterie – IMPULZNÍ: Impulzní režim je efektivnější při šetrném nabíjení baterie.
- 2) Energie dodávaná solární panelem –
 - a. IMPULZNÍ: při slabém zdroji energie (málo intenzivní slunce / mraky) jsou dodávány impulzy nabíjecího proudu. Mohou být dodávány proudové impulzy 3–5 A, minimálně v intervalu 2 sekundy.
 - b. NEPŘETRŽITÝ: když panel dodává dostatečnou energii, regulátor dodává do baterie nepřetržitý nabíjecí proud v režimu OBJEMOVÉ NABÍJENÍ (LED č. 3).

POZNÁMKY:

1. **Volba správné velikosti solárního panelu:** 12V solární panely jsou dimenzovány podle maximálního výkonu, který dokáže dodávat při přímém a plném slunečním svitu pro pevné zatížení 12 V. Maximálního výkonu se dosahuje zřídka; při nepřímém slunečním svitu (například zakrytí mraky) může výkon poklesnout pod 20 %. Pro zajištění efektivní dlouhodobé údržby baterie zvolte panel, který dodá dostatečný proud, aby překonal parazitický odběr obvodu vozidla (například alarmu, hodin, řídicí jednotky motoru) a obnovil ztrátu napětí přes noc. Typická parazitická spotřeba: 10–20 mA pro motocykl / silné sportovní vozidlo a 30–50 mA pro osobní auto nebo dodávku vybavenou 12V baterií.
2. **Zrychlení regenerace zanedbané baterie** – použijte OptiMate 6 nebo 7 Ampmatic, která se při regeneraci baterie připojuje přímo ke střídavému napájení. Příslušnou nabíječku OptiMate můžete najít na www.optimate1.com
3. **Test baterie** – příslušnou zkoušečku OptiMate můžete najít na www.optimate1.com
4. OptiMate SOLAR bude udržovat baterii, která je v dobrém základním stavu, po několik měsíců. Přinejmenším každé dva týdny zkontrolujte, zda je v pořádku zapojení mezi nabíječkou a baterií, a u baterií s krytkami plnicího otvoru na jednotlivých člencích odpojte baterii od nabíječky, zkontrolujte hladinu elektrolytu, v případě potřeby ji doplňte (destilovanou vodou, NIKOLÍ kyselinou) a baterii znovu připojte. Při manipulaci s bateriemi nebo v jejich blízkosti vždy dodržujte BEZPEČNOSTNÍ UPOZORNĚNÍ obsažená v tomto návodu.

OMEZENÁ ZÁRUKA

Společnost TecMate (International) SA, B-3300 Tienen, Belgie, poskytuje tuto omezenou záruku původnímu kupci tohoto výrobku. Tato omezená záruka je nepřevoditelná. Společnost TecMate (International) poskytuje záruku na vady materiálu a výrobní vady této nabíječky baterií na dobu tří let od data nákupu u prodejce. Pokud se vyskytne závada, výrobce posoudí, zda jednotku opraví nebo vymění. Kupující je povinen na vlastní náklady zaslat jednotku spolu s dokladem o koupi (viz POZNÁMKA) výrobci nebo jeho autorizovanému zástupci. Tato omezená záruka zaniká, pokud se výrobek nepoužívá v souladu s návodem, nakládá se s ním nešetrně nebo byla provedena oprava jinde než v továrně nebo u autorizovaného zástupce. Výrobce neposkytuje žádnou jinou záruku, pouze tuto omezenou záruku a výslovně vylučuje jakoukoli nevyjádřenou záruku včetně záruky na následná poškození.

JEDNÁ SE O JEDINOU UZNANOU OMEZENOU ZÁRUKU A V ROBCE NEPŘEBÍRÁ ANI NEPOVĚŘUJE ŽÁDNOU JINOU OSOBU, ABY PŘEVZALA NEBO UZAVÍRALA VE VZTAHU K V ROBKU JINÉ ZÁVAZKY, NEŽ JE TATO OMEZENÁ ZÁRUKA. VAŠE ZÁKONNÁ PRÁVA TÍM OVLIVNĚNA NEJSOU.

POZNÁMKA: Podrobnosti naleznete na www.tecmate.com/warranty.

Další informace o výrobcích společnosti TecMate naleznete na www.tecmate.com.

Optimate **accessories**



Discover our full range of accessories at **optimize1.com**

Entdecken Sie unser komplettes Zubehörsortiment auf **optimize1.com**

Découvrez notre gamme complète d'accessoires sur **optimize1.com**

Ontdek ons volledig gamma toebehoren op **optimize1.com**

Descubra nuestra gama completa de accesorios en **optimize1.com**

Descubra toda a nossa gama de acessórios em **optimize1.com**



Scoprite la nostra gamma completa di accessori su **optimize1.com**

Se vårt kompletta sortiment av tillbehör på **optimize1.com**

Optimate[™]

**Battery Performance
Guaranteed!**